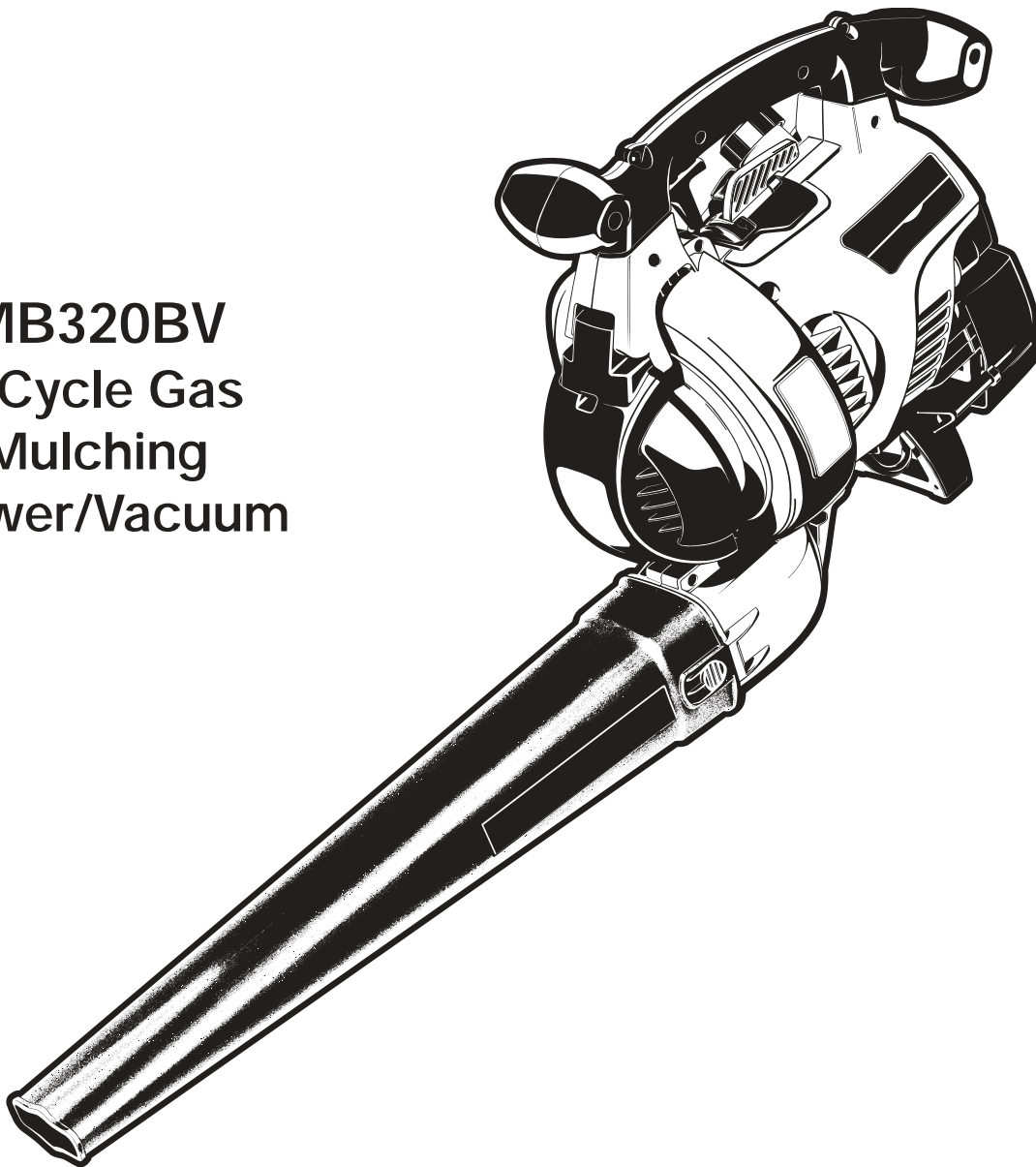




Operator's Manual

MB320BV
2-Cycle Gas
Mulching
Blower/Vacuum



SAVE THESE INSTRUCTIONS

DO NOT THROW AWAY

P/N 769-01508 (1/05)

INTRODUCTION

THANK YOU

Thank you for buying this quality product. This modern outdoor power tool will provide many hours of useful service. You will find it to be a great labor-saving device. This operator's manual provides you with easy-to-understand operating instructions. Read the whole manual and follow all the instructions to keep your new outdoor power tool in top operating condition.

PRODUCT REFERENCES, ILLUSTRATIONS AND SPECIFICATIONS

All information, illustrations, and specifications in this manual are based on the latest product information available at the time of printing. We reserve the right to make changes at any time without notice.

Copyright© 2005 MTD SOUTHWEST INC, All Rights Reserved.

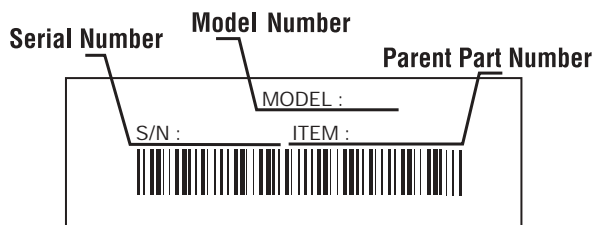
SERVICE INFORMATION

Service on this unit both within and after the warranty period should be performed only by an authorized and approved service dealer.

For service call **1-800-345-8746** in the United States, or **1-800-668-1238** in Canada to obtain a list of authorized service dealers near you. For more details about your unit, visit our website at www.mccullochpower.com.

DO NOT RETURN THE UNIT TO THE RETAILER. PROOF OF PURCHASE WILL BE REQUIRED FOR WARRANTY SERVICE.

Before beginning, locate the unit's model plate. It lists the model and serial numbers of your unit. Refer to the sample plate below and copy the information for future reference.



Copy the model and parent part number here: _____

Copy the serial number here: _____

Make sure you carefully read and understand this manual before starting or operating this equipment.

THIS PRODUCT IS COVERED BY ONE OR MORE U.S. PATENTS. OTHER PATENTS PENDING.


TABLE OF CONTENTS

Service Information	2
Rules for Safe Operation	3
Know Your Unit	7
Assembly Instructions	8
Oil and Fuel Information	11
Starting/Stopping Instructions	12
Operating Instructions	13
Maintenance and Repair Instructions	15
Cleaning and Storage	18
Accessories and Replacement Parts	18
Troubleshooting Chart	19
Specifications	20
Warranty Information	22
Parts List	Inside Back Cover


SPARK ARRESTOR NOTE

NOTE: For users on U.S. Forest Land and in the states of California, Maine, Oregon and Washington. All U.S. Forest Land and the state of California (Public Resources Codes 4442 and 4443), Oregon and Washington require, by law that certain internal combustion engines operated on forest brush and/or grass-covered areas be equipped with a spark arrestor, maintained in effective working order, or the engine be constructed, equipped and maintained for the prevention of fire. Check with your state or local authorities for regulations pertaining to these requirements. Failure to follow these requirements could subject you to liability or a fine. **This unit is factory equipped with a spark arrestor.** If it requires replacement, ask your LOCAL SERVICE DEALER to install the **Accessory Part #753-04689 Spark Arrestor Kit.**

CALIFORNIA PROPOSITION 65 WARNING



WARNING



THE ENGINE EXHAUST FROM THIS PRODUCT CONTAINS CHEMICALS KNOWN TO THE STATE OF CALIFORNIA TO CAUSE CANCER, BIRTH DEFECTS OR OTHER REPRODUCTIVE HARM.

RULES FOR SAFE OPERATION

The purpose of safety symbols is to attract your attention to possible dangers. The safety symbols, and their explanations, deserve your careful attention and understanding. The safety warnings do not by themselves eliminate any danger. The instructions or warnings they give are not substitutes for proper accident prevention measures.

SYMBOL	MEANING
--------	---------

	SAFETY ALERT: Indicates danger, warning or caution. Attention is required in order to avoid serious personal injury. May be used in conjunction with other symbols or pictographs.
---	---

NOTE: Advises you of information or instructions vital to the operation or maintenance of the equipment.

Read the Operator's Manual(s) and follow all warnings and safety instructions.

Failure to do so can result in serious injury to the operator and/or bystanders.

FOR QUESTIONS, CALL 1-800-345-8746 in the United States, or 1-800-668-1238 in Canada

SYMBOL	MEANING
--------	---------


	DANGER: Failure to obey a safety warning will result in serious injury to yourself or to others. Always follow the safety precautions to reduce the risk of fire, electric shock and personal injury.
---	--

	WARNING: Failure to obey a safety warning can result in injury to yourself and others. Always follow the safety precautions to reduce the risk of fire, electric shock and personal injury.
---	--

	CAUTION: Failure to obey a safety warning may result in property damage or personal injury to yourself or to others. Always follow the safety precautions to reduce the risk of fire, electric shock and personal injury.
---	--

• IMPORTANT SAFETY INSTRUCTIONS •

READ ALL INSTRUCTIONS BEFORE OPERATING

	WARNING: When using the unit, you must follow the safety rules. Please read these instructions before operating the unit in order to ensure the safety of the operator and any bystanders. Please keep these instructions for later use.
---	---

- Read the instructions carefully. Be familiar with the controls and proper use of the unit.
- Do not operate this unit when tired, ill, or under the influence of alcohol, drugs, or medication.
- Children and teens under the age of 15 must not use the unit, except for teens guided by an adult.
- All guards and safety attachments must be installed properly before operating the unit.
- Inspect the unit before use. Replace damaged parts. Check for fuel leaks. Make sure all fasteners are in place and secure. Replace parts that are cracked, chipped, or damaged in any way. Do not operate the unit with loose or damaged parts.
- Clear the area of children, bystanders, and pets. At a minimum, keep all children, bystanders, and pets outside a 50 feet (15 m.) radius; there still may be a risk to bystanders from thrown objects. Bystanders should be encouraged to wear eye protection. If you are approached, stop the unit immediately.

- Carefully inspect the area before starting the unit. Remove all debris and hard or sharp objects such as glass, wire, etc.

SAFETY WARNINGS FOR GAS UNITS

	WARNING: Gasoline is highly flammable, and its vapors can explode if ignited. Take the following precautions:
---	--

- Store fuel only in containers specifically designed and approved for the storage of such materials.
- Avoid creating a source of ignition for spilled fuel. Do not start the engine until fuel vapors dissipate.
- Always stop the engine and allow it to cool before filling the fuel tank. Never remove the cap of the fuel tank, or add fuel, when the engine is hot. Never operate the unit without the fuel cap securely in place. Loosen the fuel tank cap slowly to relieve any pressure in the tank.
- Mix and add fuel in a clean, well-ventilated outdoor area where there are no sparks or flames. Slowly remove the fuel cap only after stopping engine. Do not smoke while fueling or mixing fuel. Wipe up any spilled fuel from the unit immediately. Always wipe unit dry before using.
- Move the unit at least 30 feet (9.1 m) from the fueling source and site before starting the engine. Do not smoke or allow sparks and open flames near the area while adding fuel or operating the unit.

RULES FOR SAFE OPERATION

WHILE OPERATING

- Never start or run the unit inside a closed room or building. Breathing exhaust fumes can kill. Operate this unit only in a well-ventilated outdoor area.
- To reduce the risk of injury associated with thrown objects, wear safety glasses or goggles that are marked as meeting ANSI Z87. standards.
- Never run the unit without the the proper equipment attached. When using this unit, always install the blower/vacuum tubes and vacuum bag depending on model. Make sure the vacuum bag is completely zipped closed.
- To reduce the risk of hearing loss associated with sound level(s), always wear ear/hearing protection when operating this unit.
- Wear heavy, long pants, boots, and gloves. Do not wear short pants, sandals, or go barefoot.
- To avoid static electricity shock, do not wear rubber gloves or any other insulated gloves while operating this unit.
- To reduce the risk of injury associated with objects being drawn into rotating parts, do not wear loose clothing, jewelry, scarves, and the like. Secure hair above shoulder level.
- Wear a face or dust mask if the operation is dusty. Long sleeve shirts are recommended.
- Use the unit only in daylight or good artificial light.
- Keep outside surfaces free from oil and fuel.
- Avoid accidental starting. Be in the starting position whenever pulling the starter rope. The operator and unit must be in a stable position while starting. Refer to *Starting/Stopping Instructions*.
- Do not set unit on any surface except a clean, hard area while engine is running. Debris such as gravel, sand, dust, grass, etc. could be picked up by the air intake and thrown out by the discharge opening, damaging unit, property, or causing serious injury to bystanders or operator.
- Use the right tool. Only use this tool for the purpose intended.
- Do not force unit. It will do the job better and with less likelihood of injury at a rate for which it was designed.
- Do not overreach or use from unstable surfaces such as ladders, trees, steep slopes, rooftops, etc. Always keep proper footing and balance.
- Always hold the unit with a firm grip when operating.
- Keep hands, face, and feet at a distance from all moving parts. Do not touch or try to stop the impeller when it is rotating. Do not operate without guards in place.
- Do not put any object into openings. Do not use with any opening blocked; keep free of dirt, debris, and anything that may reduce the air flow.
- Do not touch the engine or muffler. These parts get extremely hot from operation. When turned off they remain hot for a short time.
- Do not operate the engine faster than the speed needed to do the job. Do not run the engine at high speed when not in use.
- Always stop the engine when operation is delayed or when walking from one location to another.
- Stop the engine for maintenance, repair, to install or remove the blower tubes or vacuum attachments. The unit must be stopped and the impeller no longer turning to avoid contact with the rotating blades.
- Use only original equipment manufacturer replacement parts when servicing this unit. These parts are available from your authorized service dealer. Do not use unauthorized parts, accessories, or attachments for this unit. Doing so could lead to serious injury to the user, or damage to the unit, and void your warranty.
- Never use this unit for spreading chemicals, fertilizers or other substances which may contain toxic materials.
- To reduce fire hazard, replace faulty muffler and spark arrestor, keep the engine and muffler free from grass, leaves, excessive grease or carbon build up.

WHILE OPERATING UNIT AS A BLOWER

- Never point the blower in the direction of people or pets, or in the direction of windows. Always direct the blowing debris away from people, animals, and windows. Use extra caution when blowing debris near solid objects such as trees, automobiles, walls, etc.

WHILE OPERATING UNIT AS A VACUUM

- Avoid situations that could catch the vacuum bag on fire. Do not operate near an open flame. Do not vacuum warm ash from fireplaces, barbecue pits, brush piles, etc. Do not vacuum discarded cigars or cigarettes unless the cinders are completely cool.

RULES FOR SAFE OPERATION

- The unit is designed to pickup dry material such as leaves, grass, small twigs, and bits of paper. Do not attempt to vacuum wet debris and/or standing water as this may result in damage to the blower/ vacuum. To avoid severe damage to the impeller, do not vacuum metal, broken glass, etc.

OTHER SAFETY WARNINGS

- Always disconnect the spark plug before performing maintenance or accessing movable parts.
- Never store the unit, with fuel in the tank, inside a building where fumes may reach an open flame (pilot lights, etc.) or sparks (switches, electrical motors, etc.).
- Allow the engine to cool before storing or transporting. Be sure to secure the unit while transporting.
- Store the unit in a dry place, either locked up or up high to prevent unauthorized use or damage. Keep out of the reach of children.

- Never douse or squirt the unit with water or any other liquid. Keep handles dry, clean, and free from debris. Clean after each use, see *Cleaning and Storage* instructions.
- Keep these instructions. Refer to them often and use them to instruct other users. If you loan this unit to others, also loan these instructions to them.

SPECIAL NOTE: Exposure to vibrations through prolonged use of gasoline powered hand tools could cause blood vessel or nerve damage in the fingers, hands, and joints of people prone to circulation disorders or abnormal swelling. Prolonged use in cold weather has been linked to blood vessel damage in otherwise healthy people. If symptoms occur such as numbness, pain, loss of strength, change in skin color or texture, or loss of feeling in the fingers, hands or joints, discontinue use of this tool and seek medical attention. An anti-vibration system does not guarantee avoidance of these problems. Users who operate power tools on a regular basis must closely monitor their physical condition and the condition of this tool.

SAVE THESE INSTRUCTIONS

RULES FOR SAFE OPERATION

SAFETY AND INTERNATIONAL SYMBOLS

This operator's manual describes safety and international symbols and pictographs that may appear on this product. Read the operator's manual for complete safety, assembly, operating and maintenance and repair information.

SYMBOL



MEANING

• SAFETY ALERT SYMBOL

Indicates danger, warning, or caution. May be used in conjunction with other symbols or pictographs.



• WARNING - READ OPERATOR'S MANUAL

Read the Operator's Manual(s) and follow all warnings and safety instructions. Failure to do so can result in serious injury to the operator and/or bystanders.



• WEAR EYE AND HEARING PROTECTION

WARNING: Thrown objects and loud noise can cause severe eye injury and hearing loss. Wear eye protection meeting ANSI Z87.1-1989 standards and ear protection when operating this unit. Use a full face shield when needed.



• KEEP BYSTANDERS AWAY

WARNING: Keep all bystanders, especially children and pets, at least 50 feet (15 m.) from the operating area.



• UNLEADED FUEL

Always use clean, fresh unleaded fuel.



• OIL

Refer to operator's manual for the proper type of oil.



• THROWN OBJECTS AND ROTATING CUTTER CAN CAUSE SEVERE INJURY

WARNING: Keep clear of blower outlet. Never point the blower at yourself or others. Objects can be thrown from blower. Do not operate unit without proper attachments and guards in place.

SYMBOL



MEANING

• ON/OFF STOP CONTROL

ON / START / RUN



• ON/OFF STOP CONTROL

OFF OR STOP



• HOT SURFACE WARNING

Do not touch a hot muffler or cylinder. You may get burned. These parts get extremely hot from operation. When turned off they remain hot for a short time.



• CHOKE CONTROL

- 1 • FULL choke position.
- 2 • PARTIAL choke position.
- 3 • RUN position.



• BLOWERS - ROTATING IMPELLER BLADES CAN CAUSE SEVERE INJURY

WARNING: Stop the engine and allow the impeller to stop before opening the vacuum door, installing or changing tubes or bag, or before cleaning or performing any maintenance.



• THROTTLE CONTROL

Indicates "HIGH" or "FASTEST" speed.



• THROTTLE CONTROL

Indicates "IDLE", "LOW" or "SLOWEST" speed.

RULES FOR SAFE OPERATION

KNOW YOUR UNIT

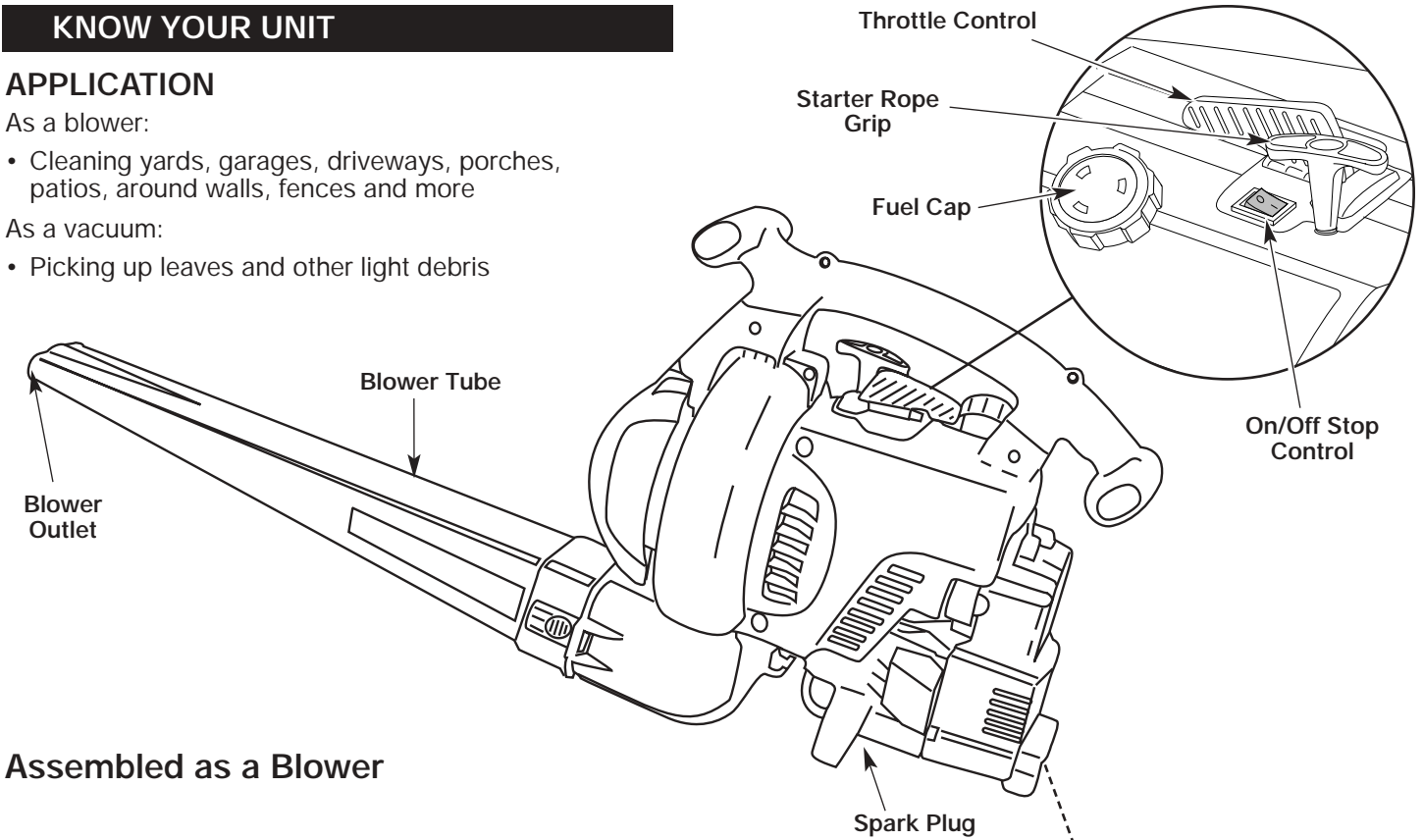
APPLICATION

As a blower:

- Cleaning yards, garages, driveways, porches, patios, around walls, fences and more

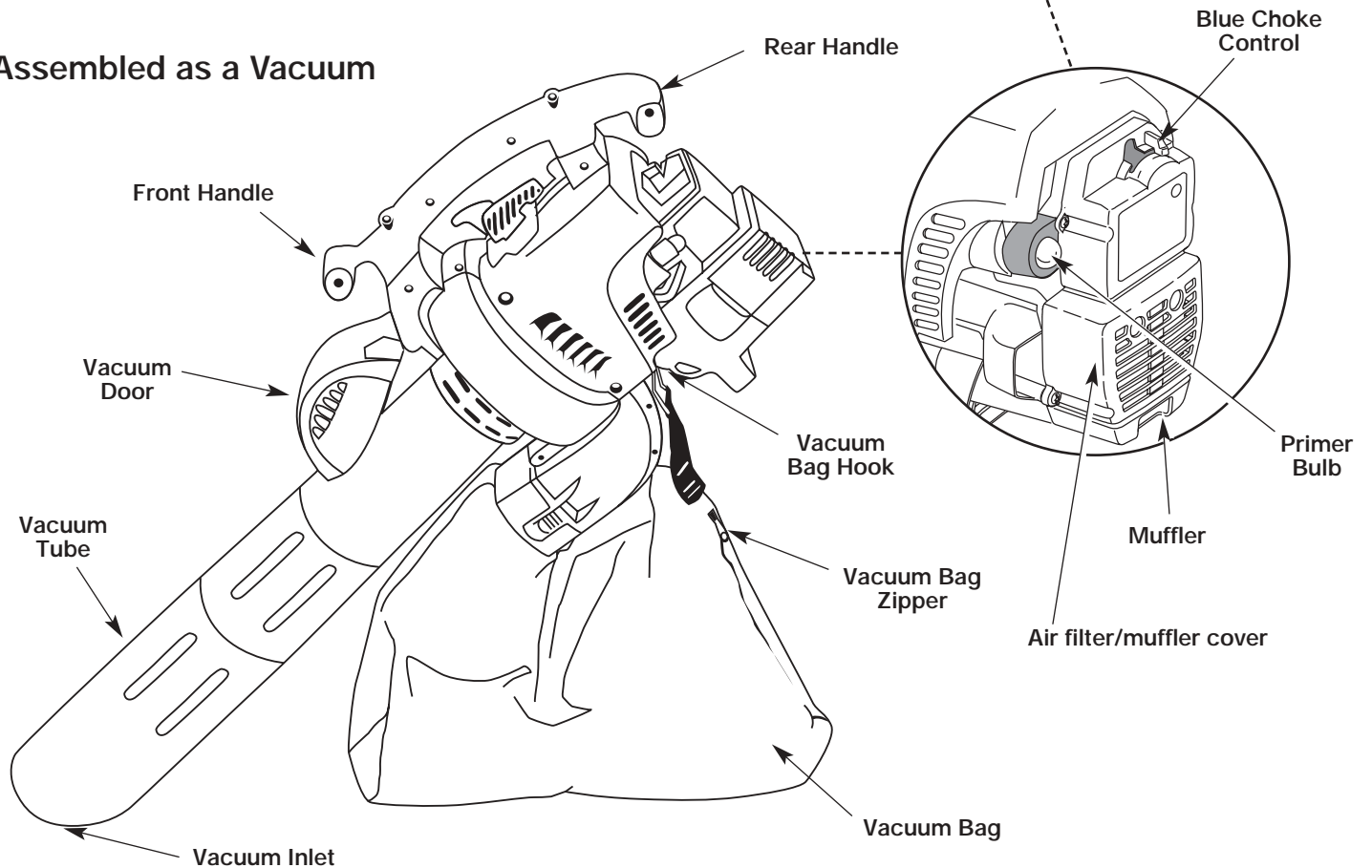
As a vacuum:

- Picking up leaves and other light debris



Assembled as a Blower

Assembled as a Vacuum



ASSEMBLY INSTRUCTIONS

ASSEMBLING UNIT AS A BLOWER

Blower Tube Assembly



WARNING: To prevent serious personal injury, stop the engine and allow the impeller to stop before attaching or removing tubes.



WARNING: To prevent serious personal injury or damage to the unit, the blower tube must be installed while operating this unit as a blower.

NOTE: If the unit was assembled as a vacuum unit, remove all vacuum parts and store away in a secure place for later use.

Installing

- Install the blower tube over the blower outlet and push it on until both tabs snap into place (Fig. 1).

Removing

- Remove the blower tube by pressing both tabs at the same time and pulling off the blower tube (Fig. 1).

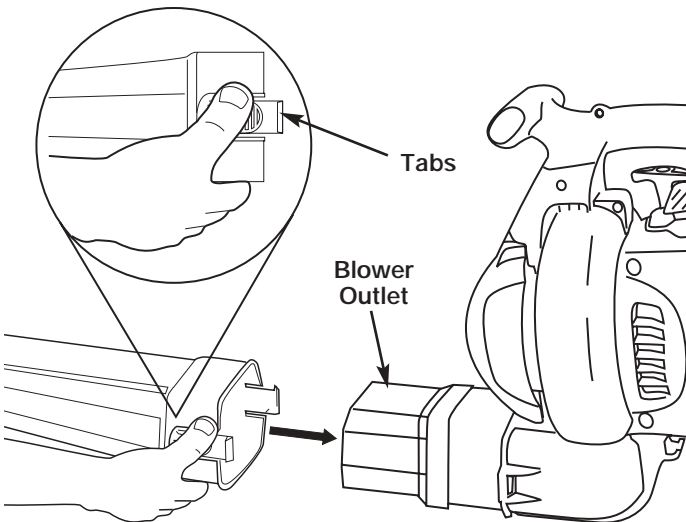


Fig. 1

ASSEMBLING UNIT AS A VACUUM

To assemble the unit as a vacuum, begin by removing the blower tube. Refer to the previous section.

Vacuum Tube Assembly



WARNING: To prevent serious personal injury, stop the engine and allow the impeller to stop before attaching or removing tubes.



WARNING: To prevent serious personal injury or damage to the unit, always install vacuum tubes and the vacuum bag, and make sure the vacuum bag is completely zipped closed when operating this unit as a vacuum.

NOTE: If the unit was assembled as a blower unit, remove the blower tube and store away in a secure place for later use.

Installation

1. Align the small arrow on the lower vacuum tube with the arrow on the upper vacuum tube (Fig. 2).
2. Grasp the lower and upper vacuum tubes firmly with both hands, and push the lower vacuum tube into the upper vacuum tube. Turn the lower vacuum tube clockwise until it snaps into detente and locks. When properly assembled, the dot on the lower tube aligns with the dot on the upper tube.

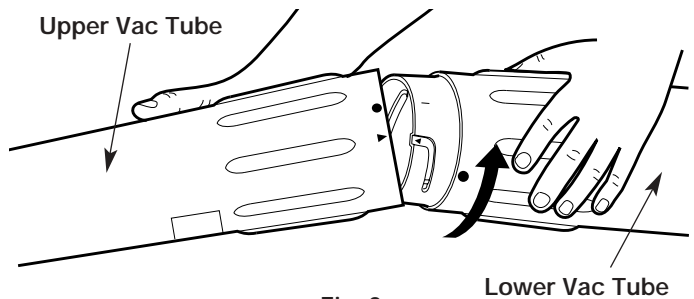


Fig. 2

3. Flip the unit so it is standing straight up on the muffler cover. The front of the unit and the vacuum door should face you (Fig. 3).

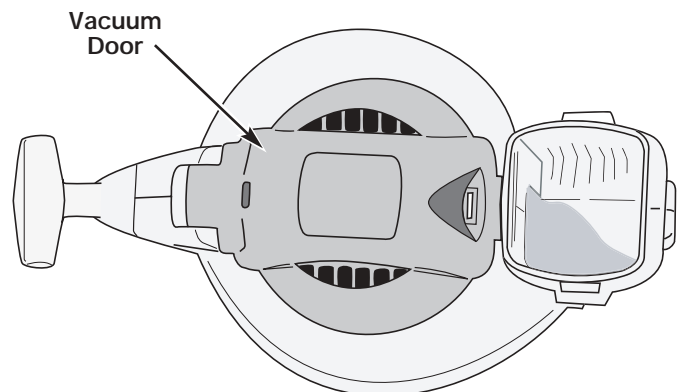


Fig. 3

ASSEMBLY INSTRUCTIONS

4. Insert a flat head screwdriver into the slot at the lower end of the vacuum door. Make contact with the vacuum door locking clip and push inward and upwards (Fig. 4). Then pull the vacuum door and hold it open.

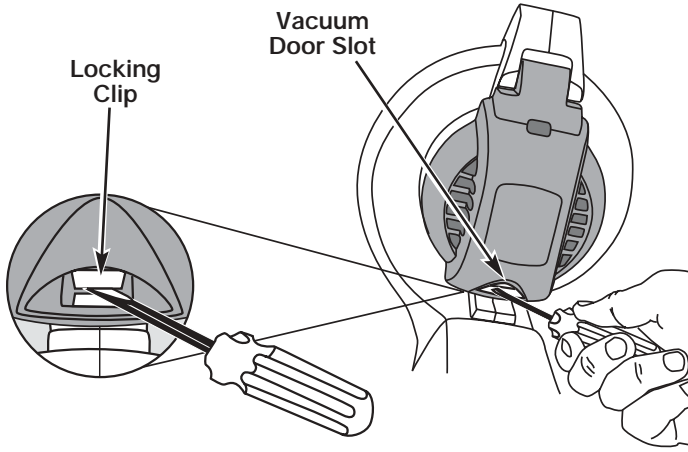


Fig. 4

5. While holding the vacuum door open, locate the assembled vacuum tube (put together in Step 2). Arrange the tube so the flat area faces the vacuum door. The grooves on the side of the tube will line up with the small tabs in the impeller intake (Fig. 5). From the exterior, align the small arrow on the vacuum tube with the arrow on the impeller intake.
6. Push the vacuum tube in firmly and grip it with both hands. Turn the tube clockwise as far as possible until it snaps into the detente and locks. When properly assembled, the dot on the vacuum tube will align with the dot on the impeller intake.

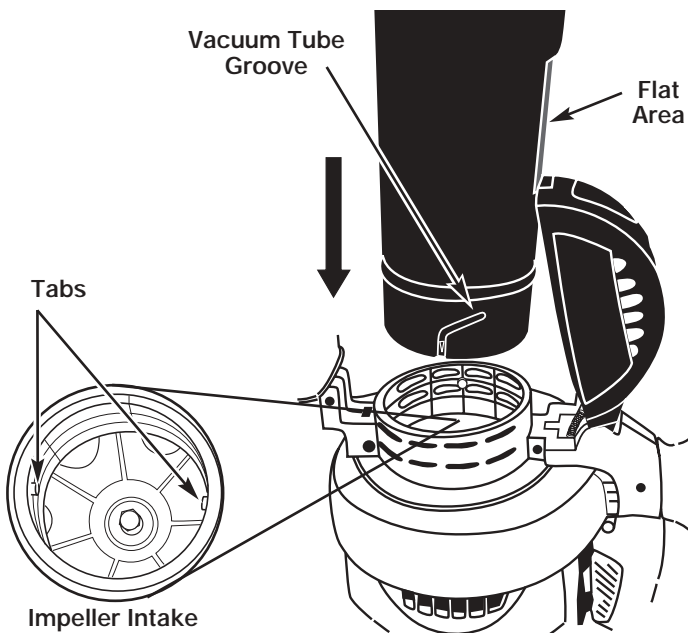


Fig. 5

Installing the Vacuum Bag

7. Install the vacuum bag tube over the blower outlet and push it on until both tabs snap into place (Fig. 6). Position the bag so its interior elbow slants downward.
8. Attach the vacuum bag to the vacuum bag hook located at the underside of the unit.

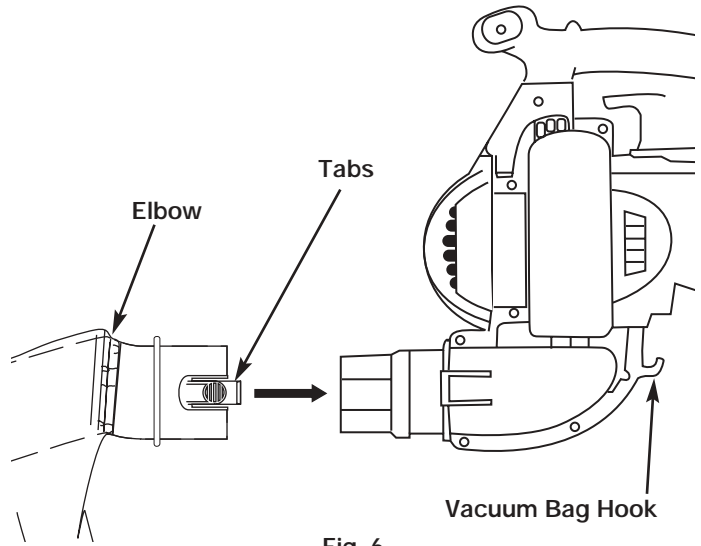


Fig. 6

Removing the Vacuum Bag

1. Unhook the bag.
2. Remove the vacuum bag by pressing both tabs on the vacuum bag elbow at the same time and pulling the bag off the blower (Fig. 6).
3. Install the blower tube in order to assemble the unit as a blower.
4. Make sure the vacuum door is securely latched shut.



WARNING: Never operate the unit in the blower configuration without the vacuum door secured and latched shut.

ASSEMBLY INSTRUCTIONS

INSTALLING THE SHOULDER HARNESS



WARNING: To avoid serious personal injury, never attempt to start the unit when standing with the unit clipped to the shoulder strap. Always follow the starting procedures as described in the *Starting/Stopping Instructions* section.

1. Push the strap through the center of the buckle.
2. Pull the strap over the cross bar and down through the slot in the buckle (Fig. 7).

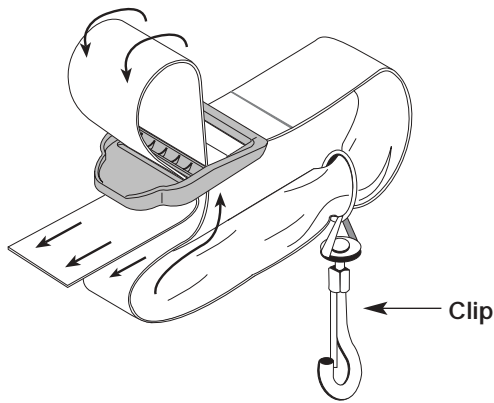


Fig. 7

3. Snap the clip on to the support fittings on the front or back of the handle. Clip to the front portion of the handle when using the unit as a blower, and clip to the back portion of the handle when using the unit as a vacuum (Fig. 8).

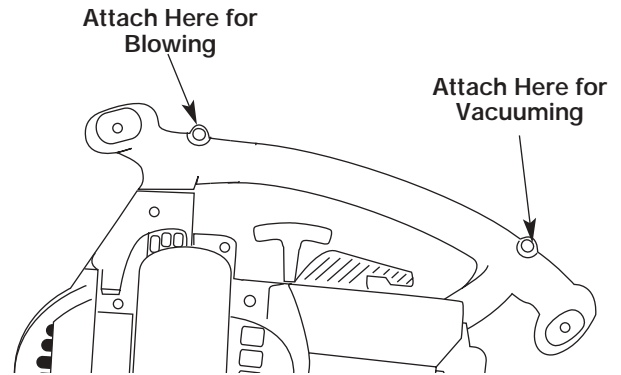


Fig. 8

4. While standing in the operating position, adjust the length to fit the operator's size. Pull the tab to lengthen, pull the strap to shorten (Fig 9).

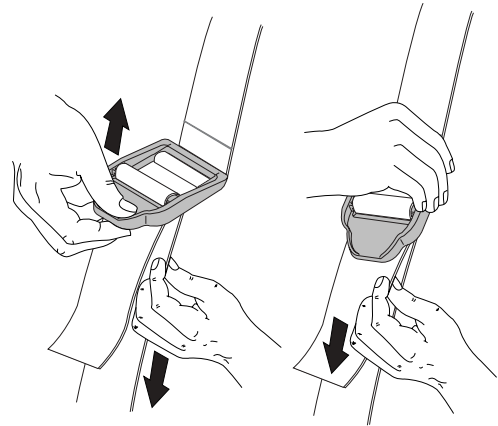


Fig. 9

OIL AND FUEL INFORMATION

OIL AND FUEL MIXING INSTRUCTIONS

Old and/or improperly mixed fuel are the main reasons for the unit not running properly. Be sure to use fresh, clean unleaded fuel. Follow the instructions carefully for the proper fuel/oil mixture.

Definition of Blended Fuels

Today's fuels are often a blend of gasoline and oxygenates such as ethanol, methanol, or MTBE (ether). Alcohol-blended fuel absorbs water. As little as 1% water in the fuel can make fuel and oil separate. It forms acids when stored. When using alcohol-blended fuel, use fresh fuel (less than 60 days old).

Using Blended Fuels


If you choose to use a blended fuel, or its use is unavoidable, follow recommended precautions:

- Always use the fresh fuel mix explained in your operator's manual
- Always agitate the fuel mix before fueling the unit
- Drain the tank and run the engine dry before storing the unit

Using Fuel Additives



The bottle of 2-cycle oil that came with your unit contains a fuel additive which will help inhibit corrosion and minimize the formation of gum deposits. It is recommended that you use our 2-cycle oil with this unit.

If unavailable, use a good 2-cycle oil designed for air-cooled engines along with a fuel additive, such as STA-BIL® Gas Stabilizer or an equivalent. Add 0.8 oz. (23 ml.) of fuel additive per gallon of fuel according to the instructions on the container. NEVER add fuel additives directly to the unit's fuel tank.


	CAUTION: For proper engine operation and maximum reliability, pay strict attention to the oil and fuel mixing instructions on the 2-cycle oil container. Using improperly mixed fuel can severely damage the engine.
---	---

Thoroughly mix the proper ratio of 2-cycle engine oil with unleaded gasoline in a separate fuel can. Use a 40:1 fuel/oil ratio. Do not mix them directly in the engine fuel tank. See the table below for specific gas and oil mixing ratios.


NOTE: One gallon (3.8 liters) of unleaded gasoline mixed with one 3.2 oz. (95 ml.) bottle of 2-cycle oil makes a 40:1 fuel/oil ratio.

	+	
UNLEADED GAS		2 CYCLE OIL
1 GALLON US (3.8 LITERS)		3.2 FL. OZ. (95 ml)
1 LITER		25 ml

MIXING RATIO - 40:1

	WARNING: Gasoline is extremely flammable. Ignited Vapors may explode. Always stop the engine and allow it to cool before filling the fuel tank. Do not smoke while filling the tank. Keep sparks and open flames at a distance from the area.
--	--

	WARNING: Remove fuel cap slowly to avoid injury from fuel spray. Never operate the unit without the fuel cap securely in place.
---	--

	WARNING: Add fuel in a clean, well ventilated outdoor area. Wipe up any spilled fuel immediately. Avoid creating a source of ignition for spilt fuel. Do not start the engine until fuel vapors dissipate.
---	---

NOTE: Dispose of the old fuel/oil mix in accordance to Federal, State and Local regulations.

STARTING/STOPPING INSTRUCTIONS



WARNING: Operate this unit only in a well-ventilated outdoor area. Carbon monoxide exhaust fumes can be lethal in a confined area.



WARNING: Avoid accidental starting. Make sure you are in the starting position when pulling the starter rope (Fig. 12 and 13). To avoid serious injury, the operator and unit must be in a stable position while starting.

Do not set unit on any surface except a clean, hard area while starting. Debris such as gravel, sand, dust and grass could be picked up by the air intake and thrown out by the discharge opening. This could damage the unit, property, or cause serious injury to bystanders or the operator.

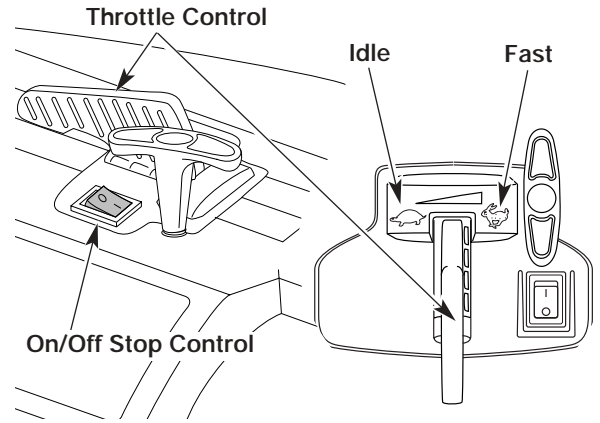


Fig. 10

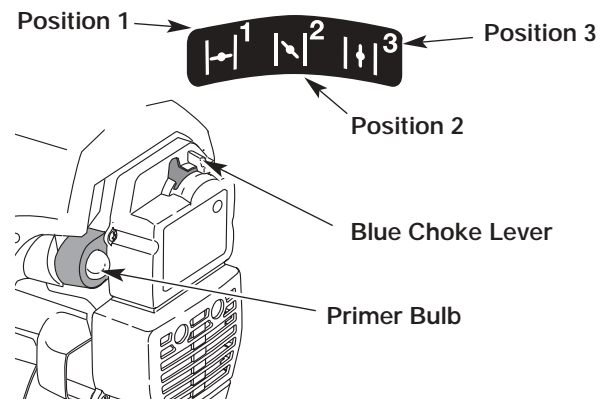


Fig. 11

STARTING INSTRUCTIONS

1. Mix gas with oil. Fill fuel tank with fuel/oil mixture. See *Oil and Fuel Mixing Instructions*.



WARNING: To avoid serious personal injury, always remove the vacuum bag prior to refueling the unit. The bag may become a fire hazard when saturated with fuel.

NOTE: There is no need to turn the unit on. The On/Off Stop Control is in the ON (I) position at all times.

2. Fully press and release the primer bulb 10 times, slowly. Some amount of fuel should be visible in the primer bulb and fuel lines (Fig. 11). If you can't see fuel in the bulb, press and release the bulb as many times as it takes before you can see fuel in it.
3. Place the blue choke lever in Position 1 (Fig. 11).
4. Place the unit in the starting position (Fig. 12 as a blower, Fig. 13 as a vacuum). Move the throttle control to the fast position (👉) (Fig. 10).
5. Pull the starter rope briskly 5 times.
6. Place the blue choke lever in Position 2.
7. Pull the starter rope briskly 1 to 3 times to start the engine.
8. Allow the engine to warm up for 15 to 30 seconds.
9. Place the blue choke lever in Position 3. The unit is ready for use.

IF... The engine does not start, go back to step 2.

IF... The engine fails to start after a couple attempts, place the blue choke lever in Position 3 and move the throttle control to the fast position (👉). Pull the starter rope briskly 3 to 8 times. The engine should start. If not, repeat.

IF WARM... If the engine is already warm, start the unit with the blue choke lever in Position 2. After the unit starts, move the choke lever to Position 3.

STOPPING INSTRUCTIONS

1. Move the throttle control to the idle position (👈). Allow the engine to cool down by idling.
2. Put the On/Off Stop Control in the OFF (O) position.

Blower Starting Position

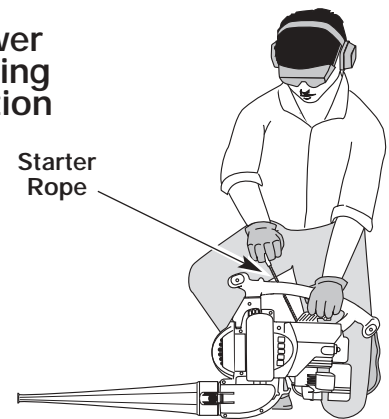


Fig. 12

Vacuum Starting Position

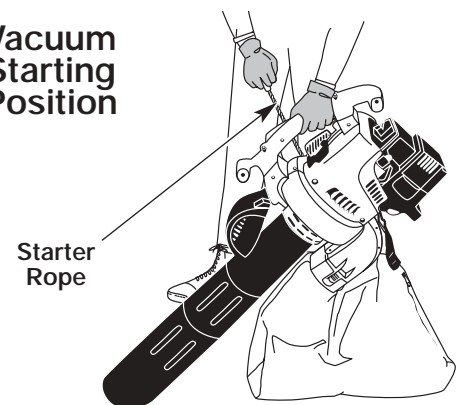


Fig. 13

OPERATING INSTRUCTIONS

HOLDING THE BLOWER/VACUUM

Before operating the unit, stand in the operating position. Check for the following:

- Operator is wearing proper clothing, such as boots, safety glasses or goggles, ear/hearing protection, gloves, long pants and long sleeve shirt



WARNING: To avoid serious personal injury, wear goggles or safety glasses at all times when operating this unit. Wear a face mask or dust mask in dusty locations.

- If the conditions are dusty, the operator is wearing a dust mask or face mask
- The unit is in good working condition
- The tubes and guards are in place and secure



WARNING: To prevent serious personal injury or damage to the unit, make sure blower tubes or vacuum tubes and the vacuum bag are in place before you operate the unit.

OPERATING TIPS

- Be sure the vacuum bag is zipped closed before operating the unit.
- Assure the unit is not directed at anybody or any loose debris before starting the unit.
- Verify that the unit is in good working condition. Make sure the tubes and guards are in place and secure.
- Always hold the unit securely when operating. Keep a firm grip on the handles.
- To reduce the risk of hearing loss associated with sound level(s), hearing protection is required.
- Operate power equipment only at reasonable hours—not early in the morning or late at night when people might be disturbed. Comply with times listed in local ordinances. Usual recommendations are 9:00 am to 5:00 pm, Monday through Saturday.
- To reduce noise levels, limit the number of pieces of equipment used at any one time.
- To reduce noise levels, operate power blowers at the lowest possible speed to do the job.
- Check your equipment before operation, especially the muffler, air intakes and air filters.
- Use rakes and brooms to loosen debris before blowing.
- In dusty conditions, slightly dampen surfaces or use a mister attachment when water is available.
- Conserve water by using power blowers instead of hoses for many lawn and garden applications, including areas such as screens, patios, grills, porches, and gardens.

- Watch out for children, pets, open windows or freshly washed cars, and blow debris safely away.
- Use the full blower nozzle extension so the air stream can work close to the ground.
- Clean up after using blowers and other equipment. Dispose of debris appropriately.

OPERATING AS A BLOWER

- 1 Use the blower for trees, shrubs, flower beds and hard-to-clean areas (Fig. 14).
2. Use the unit around buildings and for other normal cleaning procedures (Fig. 14).
3. Use the blower around walls, overhangs, fences and screens (Fig. 15).

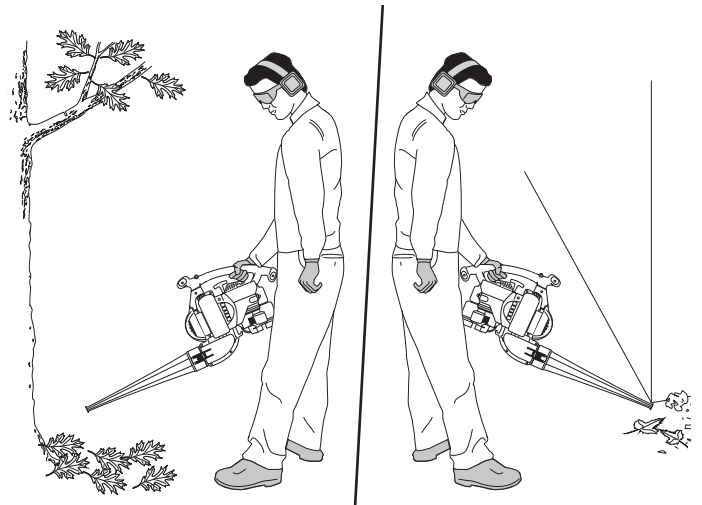


Fig. 14

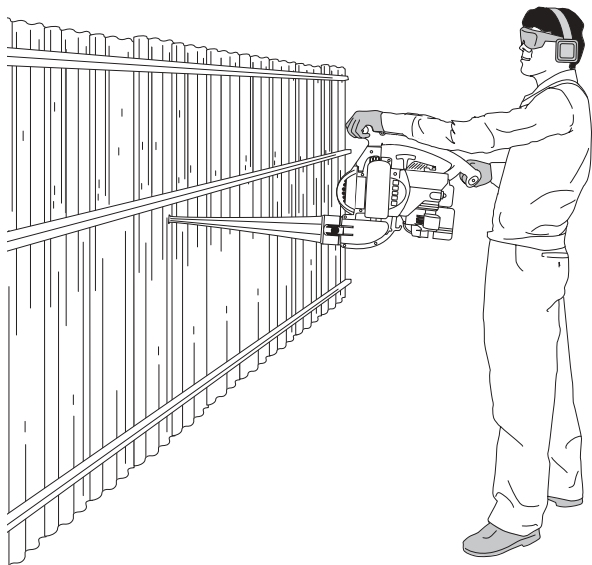


Fig. 15

OPERATING INSTRUCTIONS

OPERATING AS A VACUUM



WARNING: To prevent serious personal injury or damage to the unit, always install vacuum tubes, vacuum bag and make sure the vacuum bag is completely zipped closed when operating this unit as a vacuum.

Check for the following before operating the unit:

- Operator is wearing proper clothing, such as boots, safety glasses or goggles, ear/hearing protection, gloves, long pants and long sleeve shirt
- If the conditions are dusty, operator is equipped with a dust mask or face mask
- The unit is in good working condition-- the vacuum tubes and vacuum bag are in place and secure.
- The vacuum bag harness is in place and correctly adjusted

Operation Procedure

Use the unit for vacuuming up light debris like leaves and paper.

Hold the vacuum, tilting the suction tube slightly (2-4 inches or 50-100 mm), and use a sweeping action to collect light debris (Fig. 16). The debris will flow into the vacuum bag. Items such as small leaves and small twigs will be mulched as they pass through the fan housing, allowing the vacuum bag to hold more debris.

When the bag is full, suction will noticeably decrease. Turn off the unit and allow the impeller to stop before you remove and unzip the bag. Unzip the bag and empty the contents before continuing. Refer to *Emptying the Vacuum Bag*.



WARNING: To avoid serious personal injury, never unzip the vacuum bag without stopping the unit first



WARNING: As a vacuum, the unit is designed to pick up dry material such as leaves, grass, small twigs and bits of paper. To avoid serious personal injury, do not attempt to vacuum wet debris and/or standing water as this may result in damage to the blower/ vacuum. To avoid severe damage to the impeller, do not vacuum metal, broken glass or similar items.



WARNING: Avoid situations that could catch the vacuum bag on fire. Do not operate near an open flame. Do not vacuum warm ash from fireplaces, barbecue pits, brush piles, etc. Do not vacuum discarded cigars or cigarettes unless the cinders are completely cool.



WARNING: When the upper and lower vacuum tubes are removed, make sure the vacuum door is snapped closed and secured before using the unit, to avoid injury from the impeller.

Emptying the Vacuum Bag

1. Remove the bag from the vacuum bag hook.
2. While wearing eye protection and a dust mask, unzip the vacuum bag and empty the contents into a garbage bag or container.



WARNING: To avoid serious personal injury, turn off the unit and allow the impeller to stop before opening vacuum door or installing or removing vacuum bag.

3. Turn the bag inside out after initial emptying and vigorously shake out dust and debris.
4. Zip close and reinstall the vacuum bag.



Fig. 16

MAINTENANCE AND REPAIR INSTRUCTIONS

MAINTENANCE SCHEDULE

Perform these required maintenance procedures at the frequency stated in the table. These procedures should also be a part of any seasonal tune-up.

NOTE: Some maintenance procedures may require special tools or skills. If you are unsure about these procedures take your unit to any non-road engine repair establishment, individual or authorized service dealer.



WARNING: To prevent serious injury, never perform maintenance or repairs with unit running. Always service and repair a cool unit. Disconnect the spark plug wire to ensure that the unit cannot start.


NOTE: Maintenance, replacement, or repair of the emission control devices and system may be performed by any non-road engine repair establishment, individual or authorized service dealer.

In order to assure peak performance of your engine, inspection of the engine exhaust port may be necessary after 50 hours of operation. If you notice lost RPM, poor performance or general lack of acceleration, this service may be required. If you feel your engine is in need of this inspection, refer service to any non-road engine repair establishment, individual or authorized service dealer for repair. **DO NOT** attempt to perform this process yourself as engine damage may result from contaminants involved in the cleaning process for the port.

FREQUENCY	MAINTENANCE REQUIRED	REFER TO
Before starting engine	Fill fuel tank with fresh fuel	Page 11
Every 10 hours	Clean and re-oil air filter	Page 15
Every 25 hours	Check and clean spark arrestor Check spark plug condition and gap	Page 16 Page 17
Every 50 hours	Inspect exhaust port and spark arrestor screen for clogging or obstruction to assure maximum performance levels	Page 16

AIR FILTER MAINTENANCE

Removing the Air Filter/Muffler Cover



WARNING: To avoid serious personal injury, always turn your unit off and allow it to cool before you clean or service it.

- Place the choke lever in Position 2.

NOTE: The blue choke lever must be in Position 2 to remove the air filter/ muffler cover.

- Remove the four (4) screws securing the air filter/muffler cover (Fig. 17). Use a T-20 Torx bit screwdriver.
- Pull the cover from the engine. Do not force.

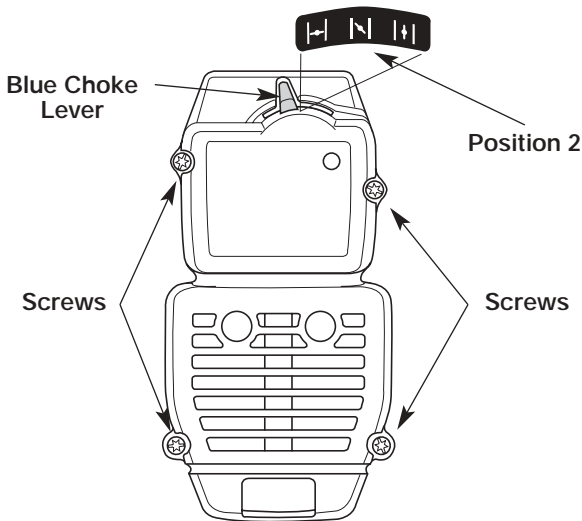


Fig. 17

Cleaning the Air Filter

Clean and re-oil the air filter every 10 hours of operation. It is an important item to maintain. Failure to maintain your air filter properly can result in poor performance or can cause permanent damage to your engine.

- Remove air filter/muffler cover. Refer to *Removing the Air Filter/Muffler Cover*.
- Turn cover over and look inside to locate the air filter. Remove the air filter from inside the air filter/muffler cover (Fig. 18).
- Wash the filter in detergent and water (Fig. 19). Rinse the filter thoroughly. Squeeze out excess water. Allow it to dry completely.

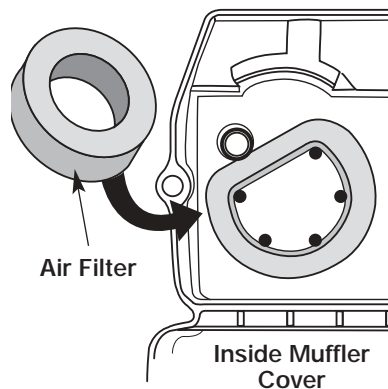


Fig. 18

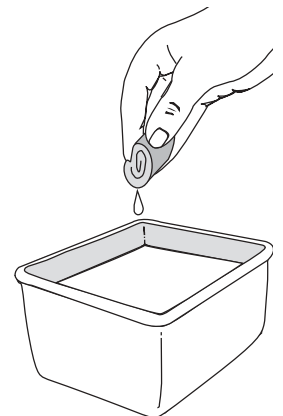


Fig. 19

MAINTENANCE AND REPAIR INSTRUCTIONS

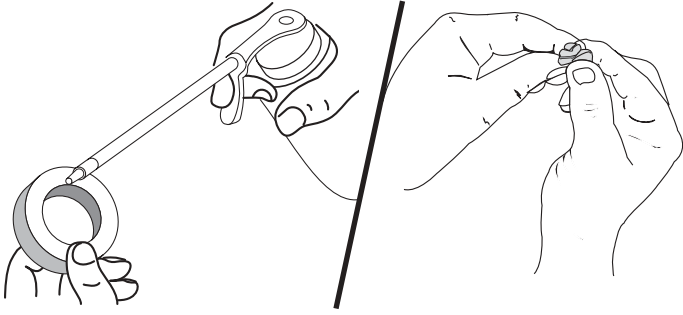


Fig. 20

Fig. 21

4. Apply enough clean SAE 30 oil to lightly coat the filter (Fig. 20).
5. Squeeze the filter to spread and remove excess oil (Fig. 21).
6. Replace the air filter inside the air filter/muffler cover (Fig. 18).

NOTE: Operating the unit without the air filter and air filter/muffler cover assembly will VOID the warranty.

Reinstalling the Air Filter/Muffler Cover

1. Place the air filter/muffler cover over the back of the carburetor and muffler. Align the screw holes.
2. Insert the four (4) screws into the holes in the air filter/muffler cover (Fig. 17) and tighten.
Do not over tighten.

SPARK ARRESTOR MAINTENANCE

NOTE: The exhaust can only flow in one direction: AWAY from the engine. Pay close attention when disassembling the muffler so you can put it back together correctly. Failure to do so will damage the unit and may cause serious personal injury.

1. Remove air filter/muffler cover. Refer to *Removing the Air Filter/Muffler Cover*.
2. Locate the muffler, but do not remove it. Find the two (2) screws on the bottom of the muffler (Fig. 22). These two screws hold the Spark Arrestor Hood Assembly and the spark arrestor screen to the bottom of the muffler. Remove the two (2) screws using either a torx #20 or flat blade screwdriver.
3. Using a small flat blade screwdriver, carefully pry up the spark arrestor screen from the recessed hole, taking care to notice that the "raised" part of the spark arrestor screen is inside the recessed hole. Remove the spark arrestor screen from the muffler.

4. Clean the spark arrestor screen with a wire brush. Replace it if it is damaged, or if you are unable to clean it thoroughly.
5. Reinstall the spark arrestor screen by putting the "raised" portion of the screen inside the recessed hole of the muffler. Make sure that the spark arrestor screen fits flat against the muffler.
6. Place the spark arrestor plate on top of the spark arrestor with the "raised" side up and the opening facing towards the engine (Fig. 22).
7. Place the spark arrestor hood on top of the spark arrestor plate with the "raised" side up and the opening facing AWAY from the engine (Fig. 22). Verify that the exhaust will be directed AWAY from the engine.
8. Replace the two screws you removed in Step 2 and tighten them securely.
9. Reinstall the air filter/muffler cover.

	<p>WARNING: If the exhaust deflector assembly is not tightened securely, it could fall off causing damage to the unit and possible serious personal injury.</p>
--	--

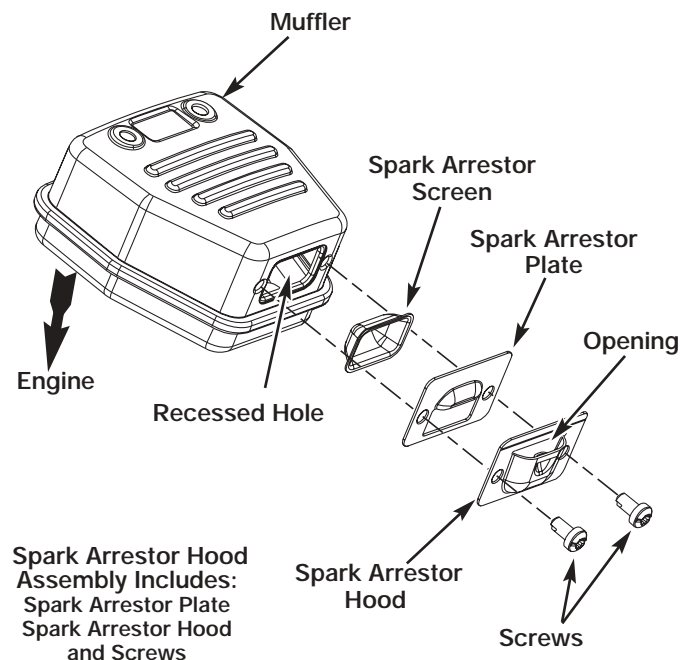


Fig. 22

MAINTENANCE AND REPAIR INSTRUCTIONS

CARBURETOR ADJUSTMENT

The idle speed of the engine is adjustable through the air filter/muffler cover (Fig. 23).

NOTE: Careless adjustments can seriously damage your unit. An authorized service dealer should make carburetor adjustments.

Check Fuel Mixture

Old and/or improperly mixed fuel is usually the reason for improper unit performance. Drain and refill the tank with fresh, properly-mixed fuel prior to making any adjustments. Refer to *Oil and Fuel Information*.

Clean Air Filter

The condition of the air filter is important to the operation of the unit. A dirty air filter will restrict air flow and change the air/fuel mixture. This is often mistaken for an out of adjustment carburetor. Check the condition of the air filter before adjusting the idle speed screw. Refer to *Air Filter Maintenance*.

Adjust Idle Speed Screw



WARNING: This unit will need to be running during idle speed adjustment. Wear protective clothing and observe all safety instructions to prevent serious personal injury.

Also, DO NOT set unit on any surface except a clean, hard area while starting or performing any adjustments. Debris such as gravel, sand, dust, grass, etc. could be picked up by the air intake and thrown out by the discharge opening, damaging unit, property, or causing serious injury to bystanders or operator.

If after checking the fuel mixture and cleaning the air filter the engine still will not idle, adjust the idle speed adjuster as follows.

1. Start the engine and let it run at the fast position for a minute to warm up.
2. Move the throttle control to the idle position and let the engine idle. If the engine stops, insert a small phillips or flat blade screwdriver into the hole in the air filter/muffler cover (Fig. 23). Turn the idle speed adjuster in, clockwise, 1/8 of a turn at a time (as needed) until the engine idles smoothly.
3. If the unit appears to be idling too fast, turn the idle speed adjuster counterclockwise 1/8 of a turn at a time (as needed), to reduce idle speed.

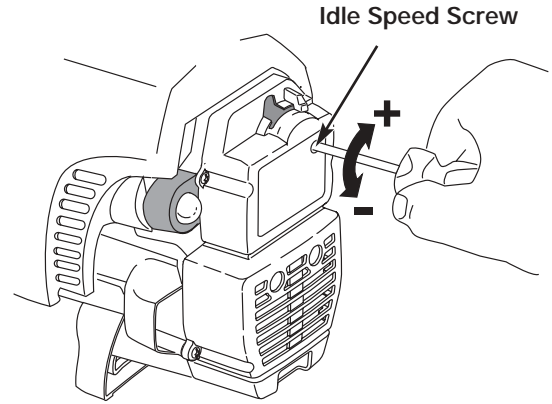


Fig. 23

Checking the fuel mixture, cleaning the air filter, and adjusting the idle speed should solve most engine problems. If not and all of the following are true:

- the engine will not idle
- the engine hesitates or stalls on acceleration
- there is a loss of engine power

Have the carburetor adjusted by an authorized service dealer.

REPLACING THE SPARK PLUG

Use a Champion RDJ7Y spark plug, or equivalent. The correct air gap is **0.020 inch (0.5 mm)**. Remove the plug after every 25 hours of operation and check its condition.

1. Stop the engine and allow it to cool. Grasp the plug wire firmly and pull it from the spark plug.
2. Clean around the spark plug. Remove the spark plug from the cylinder head by turning a 5/8-inch socket counterclockwise.
3. Replace a cracked, fouled or dirty spark plug. Set the air gap at **0.020 in. (0.5 mm)** using a feeler gauge (Fig. 24).



WARNING: Do not sand blast, scrape or clean electrodes. Grit in the engine could damage the cylinder.

4. Install a correctly-gapped spark plug in the cylinder head. Tighten by turning the 5/8-inch socket clockwise until snug.

If using a torque wrench torque to:

110-120 in.·lb. (12.3-13.5 N·m)

Do not over tighten.

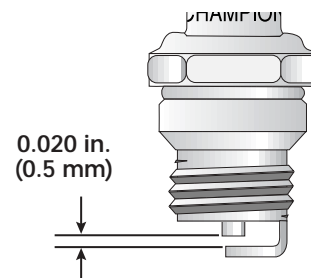


Fig. 24

MAINTENANCE AND REPAIR INSTRUCTIONS

CLEANING THE UNIT



WARNING: To avoid serious personal injury, always turn your unit off and allow it to cool before you clean or service it.

Use a small brush to clean off the outside of the unit. Do not use strong detergents. Household cleaners that contain aromatic oils such as pine and lemon, and solvents such as kerosene, can damage plastic housing or handle. Wipe off any moisture with a soft cloth.

CLEANING THE VACUUM BAG

1. Empty the bag after each use to avoid deterioration and obstructing air flow, which will reduce the performance of the vacuum.
2. Wearing eye protection and a dust mask, clean the bag as needed. Turn the bag inside out after initial emptying and vigorously shake out dust and debris.
3. Wash the bag once a year or more often if needed:
 - a. Remove the vacuum bag.
 - b. Turn bag inside out.
 - c. Hang it up.
 - d. Hose it down thoroughly.
 - e. Hang to dry.
 - f. Turn bag right-side out and reinstall.

STORAGE

- Never store a fueled unit where fumes may reach an open flame or spark.
- Allow the engine to cool before storing.
- Store the unit locked up to prevent unauthorized use or damage.
- Store the unit in a dry, well-ventilated area.
- Store the unit out of the reach of children.

CLEARING A BLOCKED TUBE / IMPELLER



WARNING: To avoid serious personal injury, be sure the unit is off before cleaning or performing any maintenance on it.



WARNING: To avoid serious personal injury, always wear gloves to protect yourself from the impeller blades or other sharp objects.

1. Press the On/Off Stop control down in the **STOP (O)** position until the engine comes to a complete stop (Fig. 10).
2. Disconnect the spark plug wire to prevent the unit from starting.

3. Remove the blower/vacuum tube and the vacuum bag.
4. Carefully remove material blocking the tube or impeller. Inspect the blades to assure no damage has occurred. Rotate the impeller blades by hand to assure the blockage is completely cleared.
5. Reinstall the vacuum bag and blower/vacuum tube.
6. Reconnect the spark plug wire.

LONG TERM STORAGE

If you plan on storing the unit for an extended time, use the following storage procedure:

1. Drain all fuel from the fuel tank into a container with the same 2-cycle fuel mixture. Do not use fuel that has been stored for more than 60 days. Dispose of the old fuel/oil mix in accordance to Federal, State and Local regulations.
 2. Start the engine and allow it to run until it stalls. This ensures that all fuel has been drained from the carburetor.
 3. Allow the engine to cool. Remove the spark plug and put 1 oz. (30 ml) of any high quality motor oil or 2-cycle oil into the cylinder. Pull the starter rope slowly to distribute the oil. Reinstall the spark plug.
- NOTE:** Remove the spark plug and drain all of the oil from the cylinder before attempting to start the unit after storage.
4. Thoroughly clean the unit and inspect it for any loose or damaged parts. Repair or replace damaged parts and tighten loose screws, nuts or bolts. The unit is ready for storage.

TRANSPORTING

- Allow the engine to cool before transporting.
- Drain fuel from unit.
- Tighten fuel cap before transporting.
- Secure the unit while transporting.

TROUBLESHOOTING

ENGINE WILL NOT START

CAUSE

Choke control is in the incorrect position
 Throttle lever is in the incorrect position
 Empty fuel tank
 Primer bulb wasn't pressed enough
 Engine flooded
 Old or improperly mixed fuel
 Fouled spark plug
 Plugged spark arrestor

ACTION

Refer to the Starting/Stopping instructions
 Refer to the Starting/Stopping instructions
 Fill fuel tank with properly mixed fuel
 Press primer bulb fully and slowly 10 times
 Use starting procedure with the choke lever in Position 3
 Drain gas tank / Add fresh fuel mixture
 Replace or clean the spark plug
 Clean or replace spark arrestor

ENGINE WILL NOT IDLE

CAUSE

Air filter is plugged
 Old or improperly mixed fuel
 Improper carburetor adjustment

ACTION

Replace or clean the air filter
 Drain gas tank / Add fresh fuel mixture
 Adjust according to the *Carburetor Adjustments* section

ENGINE WILL NOT ACCELERATE

CAUSE

Old or improperly mixed fuel
 Improper carburetor adjustment
 Dirty air filter
 Plugged spark arrestor

ACTION

Drain gas tank / Add fresh fuel mixture
 Take to an authorized service dealer for carburetor adjustment
 Clean or replace the air filter
 Clean or replace spark arrestor

ENGINE LACKS POWER OR STALLS

CAUSE

Old or improperly mixed fuel
 Air filter is plugged
 Improper carburetor adjustment
 Fouled spark plug
 Plugged spark arrestor

ACTION

Drain gas tank / Add fresh fuel mixture
 Replace or clean the air filter
 Take to an authorized service dealer for carburetor adjustment
 Replace or clean the spark plug
 Clean or replace spark arrestor

UNIT WILL NOT BLOW OR VACUUM

CAUSE

Bag full
 Blocked tube
 Blocked impeller
 Damaged impeller

ACTION

Empty bag, as described in *Empty the Vacuum Bag*
 Clear the blockage as described in *Clearing a Blocked Tube/ Impeller*
 Clear the blockage as described in *Clearing a Blocked Tube/ Impeller*
 Take the unit to an authorized service dealer

If further assistance is required, contact your authorized service dealer.

SPECIFICATIONS

ENGINE*

Engine Type.....	Air-Cooled, 2-Cycle
Displacement.....	31 cc (1.9 cu. in)
Vacuum Operating RPM.....	6,800+ rpm
Blower Operating RPM.....	7,200+ rpm
Idle Speed RPM.....	3,200 - 4,400 rpm
Ignition Type.....	Electronic
On/Off Stop Control.....	Rocker Switch
Spark Plug Gap.....	0.020 inch (0.5 mm)
Lubrication.....	Fuel/Oil Mixture
Fuel/Oil Ratio.....	40:1
Carburetor.....	Diaphragm, All-Position
Starter.....	Auto Rewind
Muffler.....	Baffled with Guard
Fuel Tank Capacity.....	13 ounces (384 ml)

BLOWER / VACUUM*

Throttle Control.....	Finger-Tip Lever
Blower Velocity.....	up to 200 mph (322 kmh)
Blower Air Output.....	up to 425 cfm (12.1 cmm)
Mulching Ratio.....	up to 10:1
Vacuum Bag Capacity.....	1.5 bushels (52.8 Liters)
Weight (no fuel, with blower tube).....	11.4 lb. (5.2 kg)

*All specifications are based on the latest product information available at the time of printing. We reserve the right to make changes at any time without notice.

California / EPA Emission Control Warranty Statement

Your Warranty Rights and Obligations

The California Air Resources Board, the Environmental Protection Agency and MTD LLC (MTD) are pleased to explain the emission control system warranty on your 2000 and later small off-road engine. New small off-road engines must be designed, built and equipped to meet stringent anti-smog standards. MTD must warrant the emission control system on your small off-road engine for the periods of time listed below provided there has been no abuse, neglect or improper maintenance of your small off-road engine.

Your emission control system may include parts such as the carburetor or fuel-injected system, the ignition system, and catalytic converter. Also included may be hoses, belts, connectors and other emission-related assemblies.

Where a warrantable condition exists, MTD will repair your small off-road engine at no cost to you including diagnosis, parts and labor.

The 2000 and later small off-road engines are warranted for two years. If any emission-related part on your engine is defective, the part will be repaired or replaced by MTD.

Owners Warranty Responsibilities

- As the small off-road engine owner, you are responsible for the performance of the required maintenance listed in your operator's manual. MTD recommends that you retain all receipts covering maintenance on your small off-road engine, but MTD cannot deny warranty solely for the lack of receipts or for your failure to ensure the performance of all scheduled maintenance.
- As the small off-road engine owner, you however should be aware that MTD may deny you warranty coverage if your small off-road engine or a part has failed due to abuse, neglect, improper maintenance or unapproved modifications.
- You are responsible for presenting your small off-road engine to a MTD Authorized Service Center as soon as a problem exists. The warranty repairs should be completed in a reasonable amount of time, not to exceed 30 days.

If you have any questions regarding your warranty rights and responsibilities, you should call 1-800-345-8746.

Manufacturer's Warranty Coverage

- The warranty period begins on the date the engine or equipment is delivered to the retail purchaser.
- The manufacturer warrants to the initial owner and each subsequent purchaser, that the engine is free from defects in material and workmanship which cause the failure of a warranted part for a period of two years.
- Repair or replacement of warranted part will be performed at no charge to the owner at an Authorized MTD Service Center. For the nearest location please contact MTD at: 1-800-345-8746.
- Any warranted part which is not scheduled for replacement, as required maintenance or which is scheduled for only for regular inspection to the effect of "Repair or Replace as Necessary" is warranted for the warranty period. Any warranted part which is scheduled for replacement as required maintenance will be warranted for the period of time up to the first scheduled replacement point for that part.
- The owner will not be charged for diagnostic labor which leads to the determination that a warranted part is defective, if the diagnostic work is performed at an Authorized MTD Service Center.
- The manufacturer is liable for damages to other engine components caused by the failure of a warranted part still under warranty.
- Failures caused by abuse, neglect or improper maintenance are not covered under warranty.
- The use of add-on or modified parts can be grounds for disallowing a warranty claim. The manufacturer is not liable to cover failures of warranted parts caused by the use of add-on or modified parts.
- In order to file a claim, go to your nearest Authorized MTD Service Center. Warranty services or repairs will be provided at all Authorized MTD Service Centers.
- Any manufacturer approved replacement part may be used in the performance of any warranty maintenance or repair of emission related parts and will be provided without charge to the owner. Any replacement part that is equivalent in performance or durability may be used in non-warranty maintenance or repair and will not reduce the warranty obligations of the manufacturer
- The following components are included in the emission related warranty of the engine, air filter, carburetor, primer, fuel lines, fuel pick up/ fuel filter, ignition module, spark plug and muffler.

MANUFACTURER'S LIMITED WARRANTY FOR:



The limited warranty set forth below is given by MTD LLC ("MTD") with respect to new merchandise purchased and used in the United States, its possessions and territories.

MTD warrants this product against defects in material and workmanship for a period of two (2) years commencing on the date of original purchase and will, at its option, repair or replace, free of charge, any part found to be defective in material or workmanship. This limited warranty shall only apply if this product has been operated and maintained in accordance with the Operator's Manual furnished with the product, and has not been subject to misuse, abuse, commercial use, neglect, accident, improper maintenance, alteration, vandalism, theft, fire, water or damage because of other peril or natural disaster. Damage resulting from the installation or use of any accessory or attachment not approved by MTD for use with the product(s) covered by this manual will void your warranty as to any resulting damage. This warranty is limited to ninety (90) days from the date of original retail purchase for any MTD product that is used for rental or commercial purposes, or any other income-producing purpose.

HOW TO OBTAIN SERVICE: Warranty service is available, WITH PROOF OF PURCHASE THROUGH YOUR LOCAL AUTHORIZED SERVICE DEALER. To locate the dealer in your area, please check for a listing in the Yellow Pages or contact the Customer Service Department of MTD LLC by calling 1-800-345-8746 or writing to P.O. Box 361131, Cleveland OH 44136-0019 or if in Canada call 1-800-668-1238. No product returned directly to the factory will be accepted unless prior written permission has been extended by the Customer Service Department of MTD LLC.

This limited warranty does not provide coverage in the following cases:

- A. Tune-ups - Spark Plugs, Carburetor Adjustments, Filters.
- B. Wear items - Bump Knobs, Outer Spools, Cutting Line, Inner Reels, Starter Pulley, Starter Ropes, Drive Belts.
- C. MTD does not extend any warranty for products sold or exported outside of the United States of America, its possessions and territories, except those sold through MTD's authorized channels of export distribution.

MTD reserves the right to change or improve the design of any MTD Product without assuming any obligation to modify any product previously manufactured.

No implied warranty, including any implied warranty of merchantability or fitness for a particular purpose, applies after the applicable period of express written warranty above as to the parts as identified. No other express warranty or guaranty, whether written or oral, except as mentioned above, given by any person or entity, including a dealer or retailer, with respect to any product shall bind MTD. During the period of the Warranty, the exclusive remedy is repair or replacement of the product as set forth above. (Some states do not allow limitations on how long an implied warranty lasts, so the above limitation may not apply to you.)

The provisions as set forth in this Warranty provide the sole and exclusive remedy arising from the sales. MTD shall not be liable for incidental or consequential loss or damages including, without limitation, expenses incurred for substitute or replacement lawn care services, for transportation or for related expenses, or for rental expenses to temporarily replace a warranted product. (Some states do not allow limitations on how long an implied warranty lasts, so the above limitation may not apply to you.)

In no event shall recovery of any kind be greater than the amount of the purchase price of the product sold. Alteration of the safety features of the product shall void this Warranty. You assume the risk and liability for loss, damage, or injury to you and your property and/or to others and their property arising out of the use or misuse or inability to use the product.

This limited warranty shall not extend to anyone other than the original purchaser, original lessee or the person for whom it was purchased as a gift.

How State Law Relates to this Warranty: This warranty gives you specific legal rights, and you may also have other rights which vary from state to state.

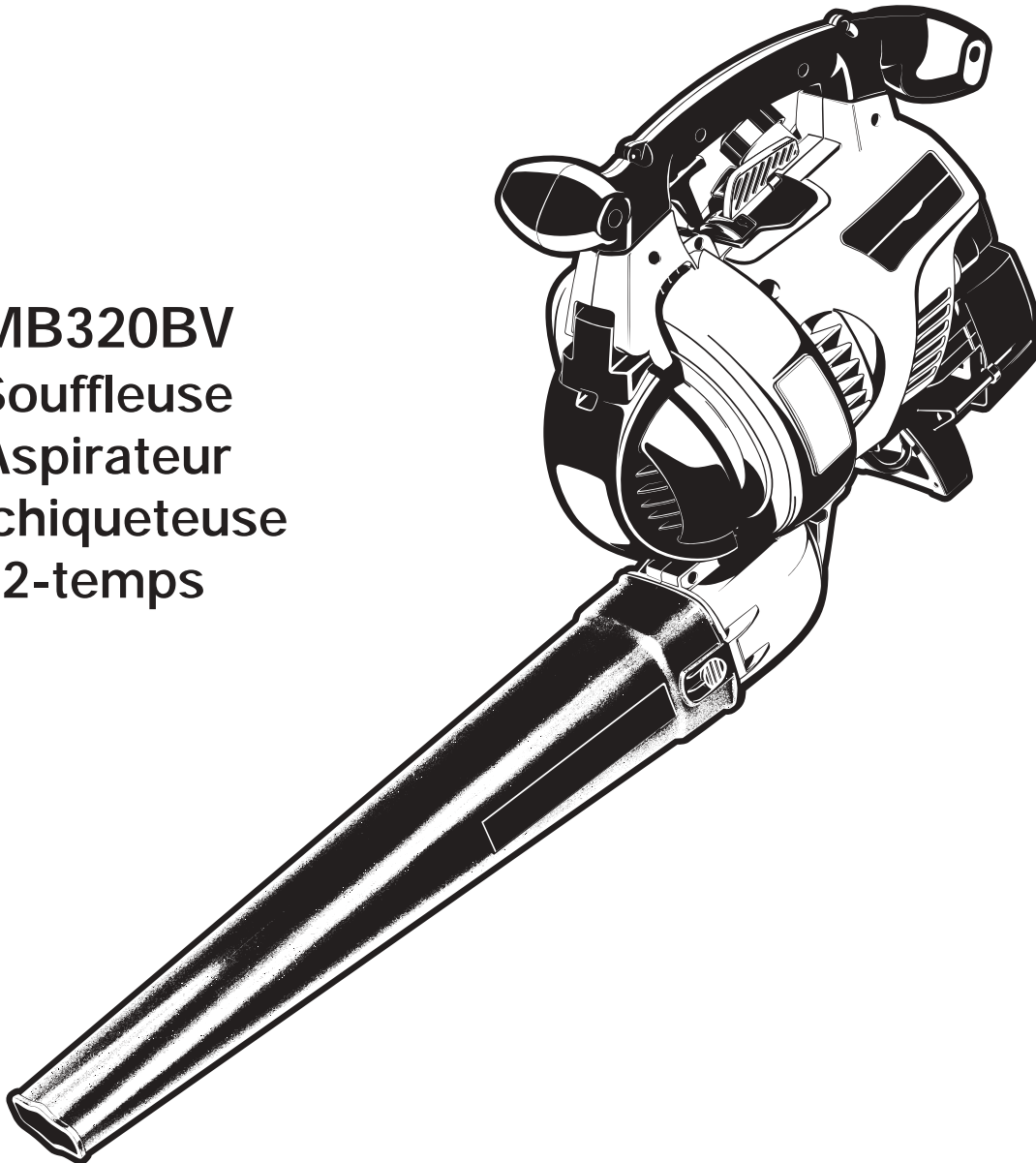
To locate your nearest service dealer dial 1-800-345-8746 in the United States or 1-800-668-1238 in Canada.

MTD LLC
P.O. Box 361131
Cleveland, OH 44136-0019

McCULLOCH®

Manuel de l'utilisateur

MB320BV
Souffleuse
Aspirateur
Déchiqueteuse
2-temps



MANUEL IMPORTANT

À NE PAS JETER

INTRODUCTION

TOUS NOS REMERCIEMENTS

Nous vous remercions d'avoir acheté ce produit de qualité. Cet outil mécanique de plein air moderne est conçu pour vous rendre service pendant longtemps. Il vous sauvera beaucoup de temps comme vous pourrez vous en rendre compte. Ce manuel de l'utilisateur comporte un mode d'emploi facile à comprendre. Prenez soin de lire le manuel au complet et suivez toutes ses instructions à la lettre afin de conserver votre nouvel outil mécanique de plein air en excellent état de fonctionnement.

RÉFÉRENCES, ILLUSTRATIONS ET SPÉCIFICATIONS RELATIVES AU PRODUIT

Toutes les informations, illustrations et spécifications contenues dans ce manuel tiennent compte des dernières informations techniques disponibles au moment de mettre sous presse. Nous nous réservons le droit d'y apporter des modifications à tout moment, sans préavis.

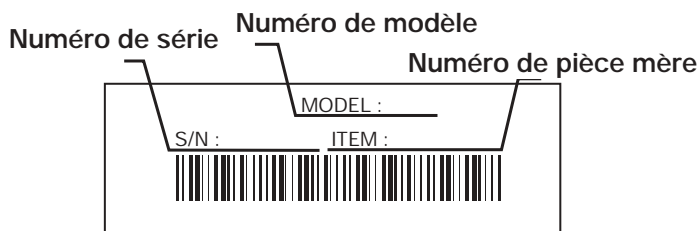
Copyright© 2005 MTD SOUTHWEST INC., Tous droits réservés.

INFORMATIONS D'ENTRETIEN

Tout entretien effectué sur cet appareil pendant et après la période de garantie doit être fait par un concessionnaire agréé uniquement. Obtenez la liste des concessionnaires agréés appelez le **1-800-345-8746** aux États-Unis, ou le **1-800-668-1238** au Canada. Pour de plus amples informations à propos de votre appareil, visitez www.mccullochpower.com.

NE RETOURNEZ PAS L'APPAREIL AU DÉTAILLANT CHEZ QUI VOUS L'AVEZ ACHETÉ. TOUT SERVICE SOUS GARANTIE NÉCESSITE UNE PREUVE D'ACHAT.

Avant d'assembler votre nouvel équipement, repérez la plaque signalétique de l'appareil et copiez ses informations dans l'espace ci-dessous. Ces informations sont essentielles si vous désirez obtenir de l'aide auprès de notre service technique ou d'un distributeur agréé. Un



Copiez le numéro de modèle / pièce mère ici : _____

Copiez le numéro de série ici : _____

exemple de plaque signalétique est présenté ci-dessous.

Prenez soin de lire et de bien comprendre ce manuel avant de démarrer ou de faire fonctionner cet équipement.

CE PRODUIT EST COUVERT PAR UN OU PLUSIEURS BREVETS AMÉRICAINS, ET D'AUTRES SONT EN INSTANCE.

TABLE DES MATIÈRES

Service technique	2
Consignes de sécurité	3
Familiarisez-vous avec votre appareil	7
Instructions de montage	8
Informations sur l'huile et le carburant	11
Instructions de démarrage et d'arrêt	12
Mode d'emploi	13
Entretien et réparations	15
Accessoires/pièces de rechange	19
Nettoyage et entreposage	19
Tableau de dépannage	20
Caractéristiques	21
Garantie	24
Liste des pièces . . . Intérieure de la Couverture Arrière	

PARE-ÉTINCELLES

REMARQUE : à l'intention des utilisateurs opérant dans les terres forestières des États-Unis et dans les états de Californie, du Maine, de l'Orégon et de Washington. Toutes les terres forestières des États-Unis et de l'état de Californie (Codes sur les ressources publiques 4442 et 4443), de l'Orégon et de Washington exigent de par la loi que certains moteurs à combustion interne utilisés dans des zones couvertes de taillis ou d'herbe soient équipés d'un pare-étincelles en parfait état de fonctionnement, ou qu'ils soient conçus, équipés et entretenus pour la prévention des incendies. Renseignez-vous auprès des autorités de votre province ou de votre municipalité concernant la réglementation en vigueur. Vous pourriez être passible d'une amende ou être tenu responsable si vous ne respectez pas cette réglementation. Cet appareil est équipé d'un pare-étincelles en usine. **Si l'écran pare-étincelles, réf. 753-04689, doit être remplacé,** communiquez avec le service technique.

AVERTISSEMENT DE LA PROPOSITION 65 DE CALIFORNIE

! AVERTISSEMENT !

LES GAZ D'ÉCHAPPEMENT DU MOTEUR DE CET APPAREIL CONTIENNENT DES PRODUITS CHIMIQUES CONSIDÉRÉS PAR L'ÉTAT DE CALIFORNIE COMME POUVANT CAUSER LE CANCER, DES MALFORMATIONS CONGÉNITALES OU D'AUTRES EFFETS NOCIFS SUR L'APPAREIL DE REPRODUCTION.

CONSIGNES DE SÉCURITÉ

Les symboles de sécurité attirent votre attention sur des dangers potentiels. Ces symboles et leurs détails explicatifs méritent que vous les lisiez et compreniez bien. Les avertissements de sécurité ne peuvent éviter les dangers de par eux-mêmes. Les consignes ou mises en garde qu'ils donnent ne remplacent pas des mesures préventives appropriées contre les accidents.

SYMBOLE	SIGNIFICATION
---------	---------------



ALERTE DE SÉCURITÉ:

indique un danger, un avertissement ou une mise en garde. Soyez vigilant afin d'éviter toute blessure grave. Ce symbole peut être combiné à d'autres symboles ou pictogrammes.

REMARQUE: donne des informations ou des instructions vitales pour le fonctionnement ou l'entretien de l'équipement.

Lisez le(s) manuel(s) de l'utilisateur et suivez tous les avertissements et consignes de sécurité. Vous pourriez à défaut entraîner des blessures graves pour vous ou d'autres personnes.

SI VOUS AVEZ DES QUESTIONS, APPELEZ LE 1-800-345-8746 AUX ÉTATS-UNIS, OU LE 1-800-668-1238 AU CANADA

SYMBOLE	SIGNIFICATION
---------	---------------



DANGER: le non-respect d'un avertissement peut causer dommages matériels ou blessures graves pour tous. Respectez les consignes de sécurité afin de réduire les risques d'incendie, d'électrocution et de blessures.



AVERTISSEMENT: le non-respect d'un avertissement peut causer dommages matériels ou blessures graves pour tous. Respectez les consignes de sécurité afin de réduire les risques d'incendie, d'électrocution et de blessures.



MISE EN GARDE: le non-respect d'un avertissement peut causer dommages matériels ou blessures graves pour tous. Respectez toujours les consignes de sécurité afin de réduire les risques d'incendie, d'électrocution et de blessures.

• IMPORTANTES CONSIGNES DE SÉCURITÉ •

LIRE TOUTES LES INSTRUCTIONS

AVANT UTILISATION

- Lire les instructions attentivement. Se familiariser avec les commandes et l'utilisation correcte de cet outil.
- Ne pas utiliser l'outil si vous êtes fatigué, malade ou sous l'effet de l'alcool, de drogues ou de médicaments.
- Les enfants de moins de 15 ans ne doivent pas utiliser l'outil, exception faite des adolescents sous surveillance d'un adulte.
- Toutes les protections et tous les accessoires de sécurité doivent être en place avant d'utiliser l'outil.
- Inspecter l'outil avant utilisation. Remplacer les pièces endommagées. Regarder s'il y a des fuites de carburant. Vérifier que toute la boulonnerie est bien serrée et qu'aucune pièce ne manque. Remplacer les pièces de l'accessoire de coupe fêlées, ébréchées ou endommagées. Ne pas utiliser l'outil si des pièces sont desserrées ou endommagées.
- Éloigner les personnes enfants et animaux de la zone de travail. Prévoir une zone de sécurité dont le rayon est d'au moins 15 m (50 pi) tout en restant conscient que des objets risquent d'être projetés au-delà de cette zone et blesser quelqu'un. Il est recommandé à toute personne se trouvant à proximité de porter des lunettes de sécurité. Arrêter immédiatement le moteur si quelqu'un s'approche.
- Inspecter soigneusement la zone de travail avant de démarrer l'outil. Éliminer tous les débris tels que morceaux de verre, fil de fer, etc.

AVERTISSEMENTS DE SÉCURITÉ CONCERNANT LES OUTILS À MOTEUR À ESSENCE



AVERTISSEMENT: l'essence est extrêmement inflammable et ses vapeurs peuvent exploser si on y met le feu. Veuillez prendre les précautions suivantes.

- Ne conserver le carburant que dans des récipients spécialement conçus et homologués pour le stockage de ce type de produit.
- Éviter de créer une source d'allumage pour le carburant répandu. Ne pas lancer le moteur avant que toutes les vapeurs se soient dissipées, afin d'éviter de créer une source d'allumage pour le carburant répandu.
- Toujours arrêter le moteur et le laisser refroidir avant faire l'appoint de carburant. Ne jamais retirer le bouchon du réservoir de carburant ou faire l'appoint pendant que le moteur est chaud. Ne jamais utiliser l'outil sans que le bouchon du réservoir soit bien en place. Desserrer le bouchon lentement afin de relâcher la pression du réservoir.
- Mélanger et ajoutez le carburant dans un endroit bien aéré et propre, en plein air, à l'abri des sources d'étincelles ou flammes vives. Ne retirer (lentement) le bouchon du réservoir d'essence qu'après avoir arrêté le moteur. Ne pas fumer pendant l'approvisionnement ou le mélange de carburant. Essuyer immédiatement le carburant répandu sur l'outil.

CONSIGNES DE SÉCURITÉ

- Éloigner l'outil d'au moins 9 m (30 pi) du point d'approvisionnement en carburant avant de démarrer le moteur. Ne pas fumer et éloigner toute source d'étincelles ou de flammes vives du point d'approvisionnement ou d'utilisation de l'outil.

PENDANT L'UTILISATION

- Ne jamais démarrer ou utiliser l'outil dans un local clos. L'inhalation des vapeurs d'échappement peut être mortelle. N'utiliser l'outil qu'à l'extérieur, dans un endroit bien aéré.
- Pour réduire les risques de blessures par des objets projetés, porter des lunettes de sécurité conformes à la norme ANSI Z87.1.
- Ne jamais utiliser l'outil s'il n'est pas équipé des accessoires nécessaires. Ne jamais utiliser l'outil sans les tubes de souffleuse ou le sac d'aspirateur (suivant le modèle). S'assurer que la fermeture à glissière du sac est complètement fermée.
- Pour réduire les risques de perte de l'ouïe causée par le niveau de bruit, toujours porter une protection auditive lors de l'utilisation.
- Porter des pantalons épais et longs, des bottes, des gants et une chemise à manches longues. Ne pas porter de shorts ou sandales et ne pas marcher pieds nus.
- Ne pas porter de gants en caoutchouc ou isolés pour éviter les décharges d'électricité statique lors de l'utilisation.
- Pour éviter des risques de blessures, ne pas porter de vêtements amples, bijoux, foulards et autres, qui pourraient être happés par les pièces en rotation. Les cheveux longs doivent être couverts ou maintenus au-dessus des oreilles.
- Porter un masque facial lors du travail dans les endroits poussiéreux. Les chemises à manches longues sont recommandées.
- N'utiliser l'outil qu'en plein jour ou sous bon éclairage artificiel.
- Garder l'extérieur de l'outil exempt d'huile et de carburant.
- Éviter tout démarrage accidentel. Toujours se tenir en position de démarrage avant de tirer la corde de démarrage. L'opérateur et l'outil doivent tous deux être en position d'équilibre lors du démarrage. Voir les instructions de *Démarrage et arrêt*.
- L'outil doit toujours être posé sur une surface propre et ferme. Les matériaux tels que le gravier, le sable, la poussière, l'herbe, etc. peuvent être aspirés par l'admission d'air et projetés par la sortie de l'outil, ce qui peut endommager l'outil, causer des dégâts matériels et des blessures graves à l'utilisateur ou aux personnes se trouvant à proximité.

- Toujours utiliser un outil adéquat pour l'application. Ne pas utiliser cet outil pour un usage pour lequel il n'est pas conçu.
- Ne pas forcer l'outil. Il fonctionnera plus efficacement et sera moins dangereux si sa capacité nominale n'est pas dépassée.
- Ne pas essayer de travailler hors de portée ou en se tenant sur une surface instable, telle qu'une échelle, un arbre, un toit, une pente abrupte, un toit, etc. Toujours se tenir bien campé, en position d'équilibre.
- Toujours tenir l'outil fermement pendant l'utilisation.
- Garder les mains, le visage et les pieds à l'écart des pièces en mouvement. Ne pas essayer de toucher ou d'arrêter l'hélice en rotation. Ne pas utiliser l'outil si les dispositifs de protection ne sont pas en place.
- Ne jamais introduire quoi que ce soit dans les ouvertures. Garder les ouvertures dégagées, exemptes de poussières et de débris ou autres risquant de réduire la circulation d'air.
- Ne toucher ni le moteur, ni le silencieux. Ces pièces deviennent très chaudes pendant le fonctionnement. Elles restent brûlantes pendant quelques temps après l'arrêt.
- Ne pas faire fonctionner le moteur à un régime plus qu'il n'est nécessaire pour s'acquitter de la tâche. Ne pas faire tourner le moteur à haut régime à vide.
- Toujours arrêter le moteur si le travail est interrompu ou avant de se déplacer d'un endroit à un autre.
- Arrêter le moteur et débrancher avant toute opération d'entretien ou réparation et avant d'installer ou retirer les tubes de souffleuse ou accessoires d'aspirateur. Le moteur et les pales de l'hélice doivent être parvenus à l'arrêt complet pour éviter tout danger de blessure par les pièces en rotation.
- N'utilisez que des pièces de équipement original rechange et accessoires d'origine du fabricant pour cet appareil. Elles sont disponibles auprès de votre concessionnaire agréé. L'utilisation de pièces ou accessoires autres que ceux de équipement original peut causer des blessures graves, endommager l'appareil et annuler sa garantie.
- Ne jamais utiliser cet outil pour répandre des produits chimiques, engrais ou matériaux pouvant contenir des substances toxiques.
- Afin de réduire les risques d'incendie, remplacer tout silencieux ou pare-étincelles défectueux et garder le moteur et le silencieux exempts d'herbe, de feuilles et d'accumulation excessive de graisse ou de calamine.

CONSIGNES DE SÉCURITÉ

LORS DE L'UTILISATION EN SOUFFLEUSE

- Ne jamais diriger le tube de la souffleuse vers des personnes, animaux domestiques ou fenêtres. Toujours souffler les débris en direction opposée des personnes, animaux domestiques et fenêtres. Redoubler de prudence lors du travail à proximité d'objets massifs tels que des arbres, véhicules, murs, etc.

LORS DE L'UTILISATION EN ASPIRATEUR

- Éviter les situations où le sac d'aspirateur pourrait s'enflammer. Ne pas utiliser à proximité de flammes vives, Ne pas aspirer les cendres chaudes de cheminées, foyers, tas de brouissalles, etc. Ne pas aspirer de mégots de cigarettes ou de cigares sans s'être assuré qu'ils sont complètement froids.
- Cet outil est conçu pour aspirer des matériaux secs, tels que des feuilles, de l'herbe, des brindilles et morceaux de papier. Ne pas essayer d'aspirer des matériaux mouillés ni de l'eau, ce qui pourrait endommager la souffleuse/aspirateur. Ne pas aspirer de morceaux de métal, de verre, etc., pour éviter d'endommager l'hélice.

AUTRES AVERTISSEMENTS DE SÉCURITÉ

- Toujours débrancher la bougie avant de travailler sur les pièces mobiles.
- Ne jamais remiser l'outil rempli de carburant à l'intérieur d'un bâtiment où les vapeurs peuvent atteindre une source de flammes vives (une veilleuse par exemple) ou d'étincelles (commutateurs, moteurs électriques, etc).

- Laisser le moteur refroidir avant de remiser ou transporter l'outil. Bien arrimer l'outil pour le transport.
- Remiser l'outil dans un endroit sec pouvant être verrouillé ou en hauteur afin d'empêcher des dommages ou un usage non autorisé. Garder l'outils hors de portée des enfants.
- Ne jamais immerger l'outil et ne jamais l'arroser avec de l'eau ou tout autre liquide. Garder les poignées sèches, propres et exemptes de débris. Nettoyer après chaque usage. Voir les sections *Nettoyage et Remisage*.
- Conserver ces instructions. Les consulter fréquemment et les utiliser pour instruire d'autres utilisateurs. Si l'outil est prêté, il doit être accompagné de ces instructions.















REMARQUE SPÉCIALE: L'exposition à des vibrations due à un usage prolongé d'outils à essence peut entraîner une lésion des vaisseaux sanguins ou des nerfs au niveau des doigts, mains et articulations des personnes prédisposées aux troubles de la circulation et aux tuméfactions anormales. L'utilisation prolongée en eau froide a été reliée aux lésions des vaisseaux sanguins chez des personnes normalement en santé. En cas de symptômes tel qu'engourdissement, douleur, perte de force, changement de couleur ou de texture de la peau, perte de sensation dans les doigts, les mains ou les articulations, cessez l'utilisation de l'appareil et consultez un médecin. Un système anti-vibration ne garantit pas que ce genre de problème puisse être évité. Les individus utilisant des outils mécaniques de manière régulière doivent surveiller attentivement leur état physique et celui de l'appareil.

CONSERVER CES INSTRUCTIONS

CONSIGNES DE SÉCURITÉ

SYMBOLES DE SÉCURITÉ ET INTERNATIONAUX

Ce manuel de l'utilisateur décrit les symboles et pictogrammes de sécurité et internationaux pouvant apparaître sur ce produit. Consultez le manuel de l'utilisateur pour les informations concernant la sécurité, le montage, le fonctionnement, l'entretien et les réparations.

SYMBOLE	SIGNIFICATION	SYMBOLE	SIGNIFICATION
	<ul style="list-style-type: none"> • SYMBOLE ALERTE DE SÉCURITÉ <p>Indique un danger, un avertissement ou une mise en garde. Ce symbole peut être combiné à d'autres symboles ou pictogrammes.</p>		<ul style="list-style-type: none"> • COMMANDE MARCHÉ/ARRÊT STOP <p>ALLUMAGE / DÉMARRAGE / MARCHÉ</p>
	<ul style="list-style-type: none"> • AVERTISSEMENT - LISEZ LE MANUEL DE L'UTILISATEUR <p>Lisez le manuel de l'utilisateur et suivez tous les avertissements et consignes de sécurité. Vous pourriez à défaut entraîner des blessures graves pour vous ou d'autres personnes.</p>		<ul style="list-style-type: none"> • COMMANDE MARCHÉ/ARRÊT STOP <p>ARRÊT ou STOP</p>
	<ul style="list-style-type: none"> • PORTEZ DES PROTECTIONS (YEUX ET OREILLES) <p>AVERTISSEMENT: les objets projetés et les bruits forts peuvent endommager la vue et l'ouïe. Portez une visière de norme ANSI Z87.1-1989 et des protège-oreilles pendant l'utilisation.</p>		<ul style="list-style-type: none"> • AVERTISSEMENT SURFACE CHAUDE <p>Ne touchez pas un silencieux ou un cylindre chaud. Vous pourriez vous brûler. Ces pièces deviennent très chaudes à l'utilisation. Elles restent chaudes brièvement après l'arrêt.</p>
	<ul style="list-style-type: none"> • ÉLOIGNEZ LES SPECTATEURS <p>AVERTISSEMENT: éloignez tout spectateur, les enfants et les animaux domestiques en particulier, d'au moins 15 m (50 pi) de la zone de coupe.</p>		<ul style="list-style-type: none"> • ETRANGLEUR <p>1 • Position d'étranglement MAXIMUM 2 • Position d'étranglement PARTIEL 3 • Position de MARCHÉ</p>
	<ul style="list-style-type: none"> • CARBURANT SANS PLOMB <p>Utilisez toujours du carburant sans plomb frais et propre.</p>		<ul style="list-style-type: none"> • SOUFFLEUSES - LES LAMES ROTATIVES PEUVENT INFLIGER DES BLESSURES GRAVES <p>AVERTISSEMENT : arrêter le moteur et laisser l'hélice parvenir à l'arrêt complet avant d'installer ou de changer les tubes ou le sac et avant toute opération de nettoyage, d'entretien ou de réparation.</p>
	<ul style="list-style-type: none"> • NIVEAU D'HUILE <p>Voir le manuel de l'utilisateur pour le type d'huile approprié.</p>		<ul style="list-style-type: none"> • MANETTE DES GAZ <p>"HAUTE" vitesse ou vitesse "MAXIMUM"</p>
	<ul style="list-style-type: none"> • LES OBJETS PROJETÉS ET LA TÊTE ROTATIVE PEUVENT CAUSER DES BLESSURES GRAVES <p>AVERTISSEMENT: Tenez-vous à l'écart de la sortie de souffleuse. Ne dirigez jamais la souffleuse vers vous ou vers les autres. La souffleuse peut projeter des objets. Ne faites pas fonctionner l'appareil sans les accessoires et protections nécessaires.</p>		<ul style="list-style-type: none"> • MANETTE DES GAZ <p>"RALENTI" ou vitesse "BASSE" ou "MINIMUM"</p>

CONSIGNES DE SÉCURITÉ

FAMILIARISEZ-VOUS AVEC L'APPAREIL

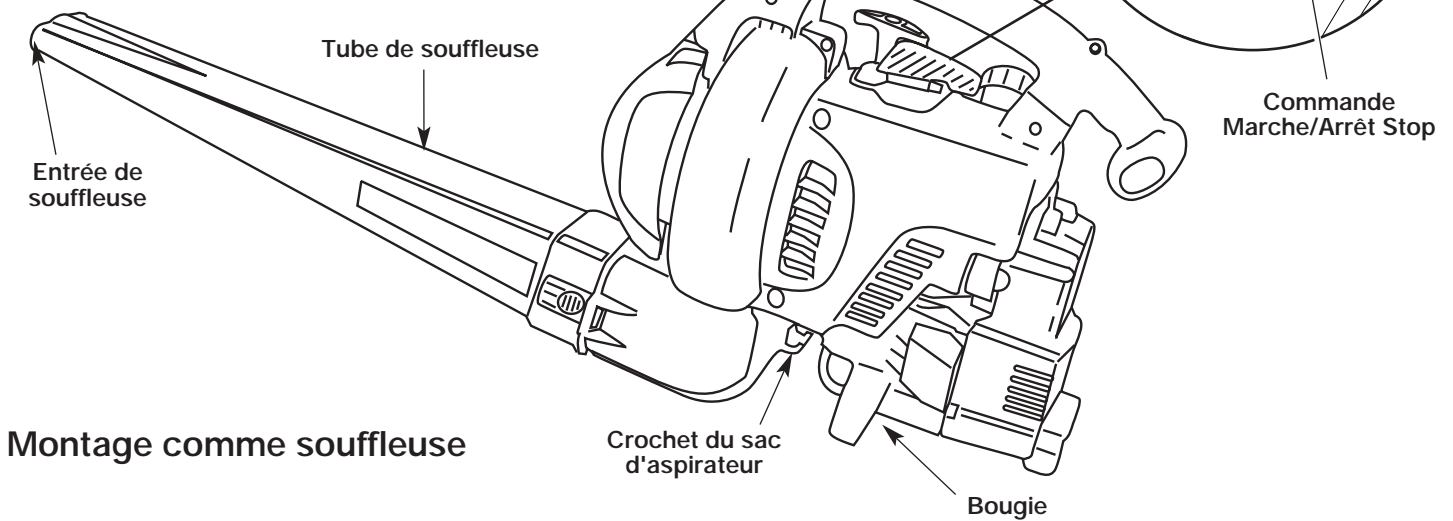
USAGE

Comme souffleur :

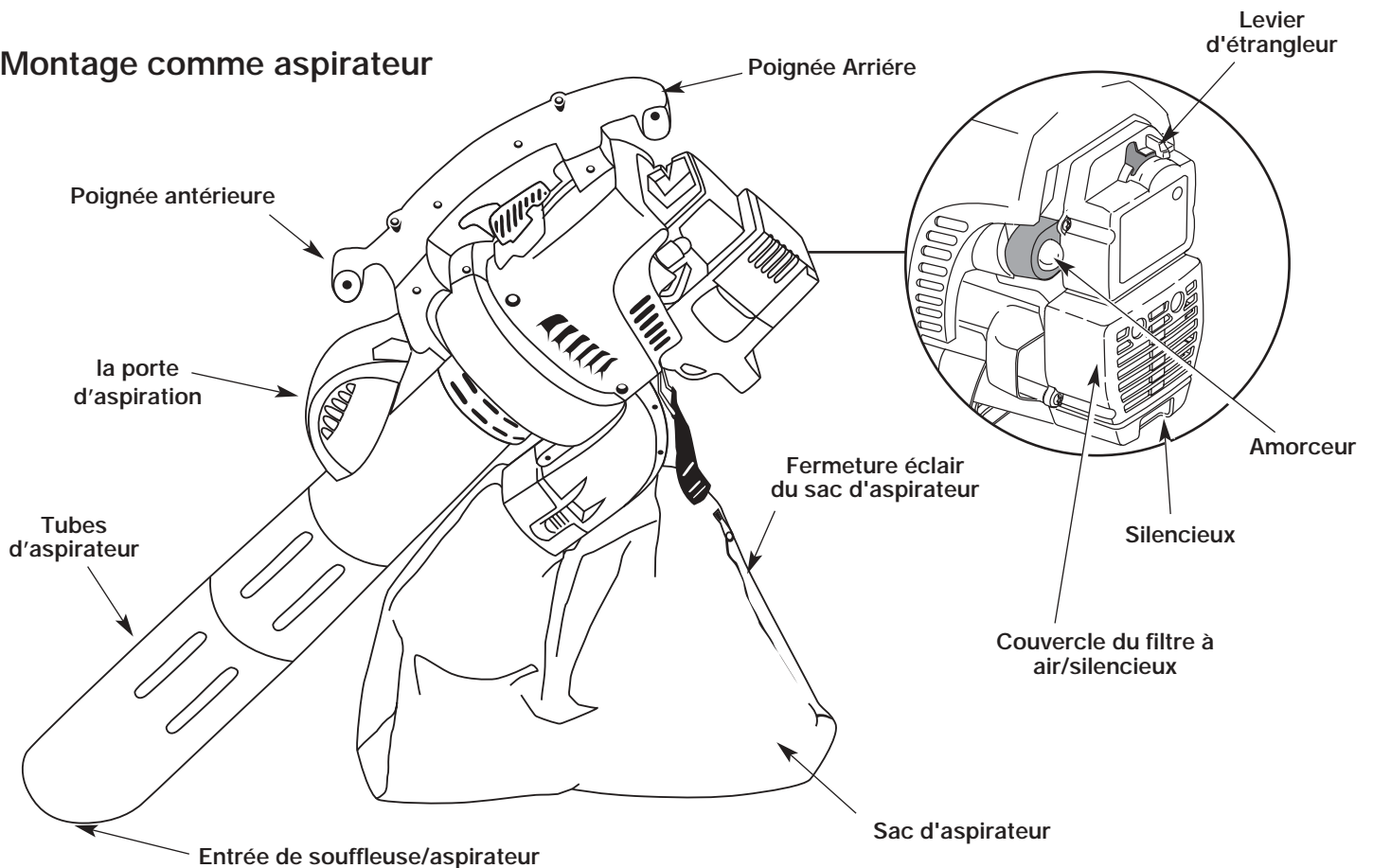
- Nettoyage de cours, garages, chemins, porches, terrasses, autour des murs, clôtures, etc.

Comme aspirateur :

- Ramassage de feuilles, de débris légers, etc.



Montage comme aspirateur



INSTRUCTIONS DE MONTAGE

MONTAGE COMME SOUFFLEUSE

Montage du tube de soufflage



REMARQUE : Si l'appareil a été assemblé comme aspirateur, retirez toutes les pièces propres à l'aspirateur et rangez-les en lieu sûr pour un usage ultérieur.

Installation

- Enfoncez le tube de soufflage sur la sortie de l'aspirateur jusqu'à ce que les deux languettes émettent un déclic (Fig. 1).

Retrait

- Retirez le tube de soufflage en appuyant sur les deux languettes en même temps et en tirant la souffleur (Fig. 1).

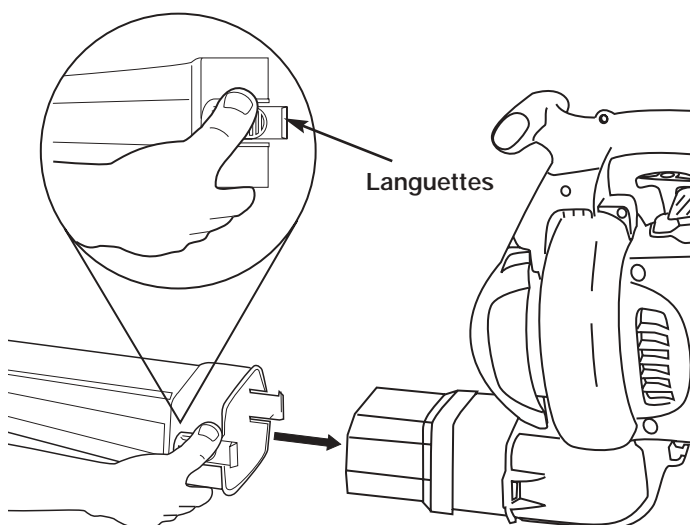


Fig. 1

MONTAGE COMME ASPIRATEUR

Pour assembler la machine comme un aspirateur, commencez par retirer le tube du souffleur. Consultez le chapitre précédent.

Montage du tube d'aspiration



NOTE : Si l'appareil a été assemblé comme souffleur, retirez toutes les pièces propres à la souffleur et rangez-les en lieu sûr pour un usage ultérieur.

Installation

1. Aligner la flèche du tube d'aspiration inférieur sur celle du tube d'aspiration supérieur (Fig. 2).
2. Saisir fermement le tube d'aspiration inférieur à deux mains et l'emboîter dans le tube supérieur. Tourner le tube inférieur vers la droite jusqu'à ce qu'il s'encliquette. (Pour que l'assemblage soit correct, le point du tube inférieur doit s'aligner sur celui du tube supérieur).

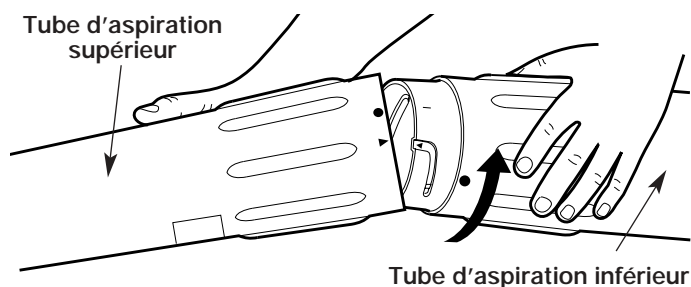


Fig. 2

3. Retournez la machine pour qu'elle soit dressée sur le bouclier de l'échappement. Le devant de la machine et la porte d'aspiration devraient vous faire face (Fig. 3).

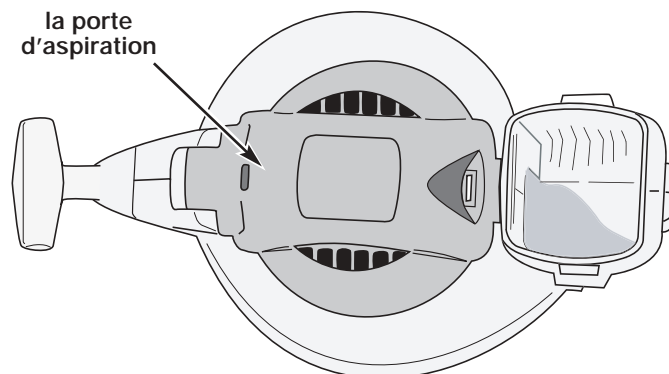


Fig. 3

INSTRUCTIONS DE MONTAGE

- Insérez un tournevis plat dans la fente à l'extrémité inférieure de la porte de l'aspirateur. Touchez le verrouillage de la porte d'aspiration et poussez vers l'intérieur et vers le haut (Fig. 4). Tirez alors sur la porte d'aspiration et maintenez-la ouverte.

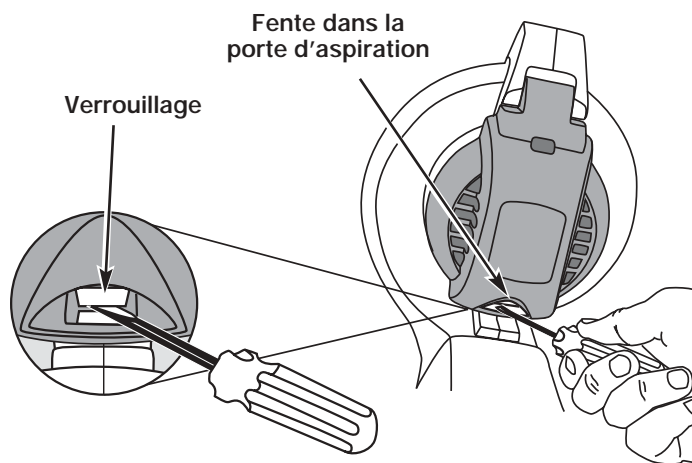


Fig. 4

- Tandis que vous gardez la porte d'aspiration ouverte, trouvez le tube d'aspiration assemblé (assemblé dans l'étape 2). Positionnez le tube pour que la surface soit en face de la porte d'aspiration. Les rainures sur le côté du tube s'aligneront avec les petites pattes dans l'admission de l'hélice (Fig.5). De l'extérieur, alignez la petite flèche sur le tube d'aspiration avec le point sur l'admission de l'hélice.
- Insérez le tube d'aspiration en le poussant fermement et saisissez-le à deux mains. Tournez dans le sens des aiguilles d'une montre aussi loin que possible jusqu'à ce qu'il se verrouille en place. Lorsque correctement assemblé, le point sur le tube d'aspiration s'alignera avec le point sur l'admission de l'hélice.

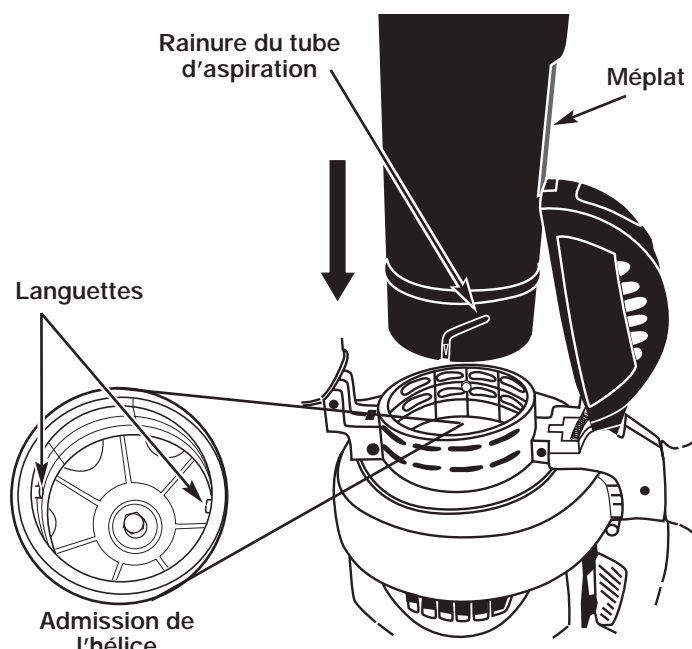


Fig. 5

Installation le sac d'aspirateur

- Enfoncez le tube du sac d'aspirateur sur la sortie de souffleur et poussez jusqu'à ce que les deux languettes émettent un déclic (Fig. 6).
- Attachez le sac de l'aspirateur au crochet du sac de l'aspirateur situé en dessous de la machine.

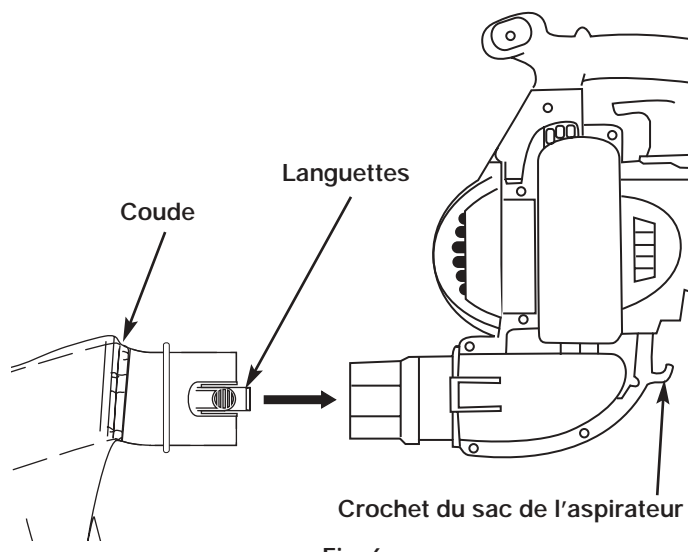


Fig. 6

Retrait

- Détachez le sac.
- Retirez le sac d'aspirateur en appuyant sur les deux languettes du coude du sac en même temps et en tirant l'aspirateur (Fig. 6).
- Installez le tube du souffleur pour assembler la machine comme un souffleur.
- Assurez-vous que la porte d'aspiration est solidement fermée.

	AVERTISSEMENT: N'opérez jamais la machine en configuration souffleur sans que la porte d'aspiration soit fermement en place et verrouillée.
--	--

INSTRUCTIONS DE MONTAGE

INSTALLATION DU HARNAIS



AVERTISSEMENT: portez toujours le harnais d'épaule lorsque vous utilisez la lame de coupe afin d'éviter des blessures graves.

1. Faites passer la bande au centre de la boucle.
2. Tirez la bande par-dessus la traverse et à travers la fente de la boucle (Fig. 7).

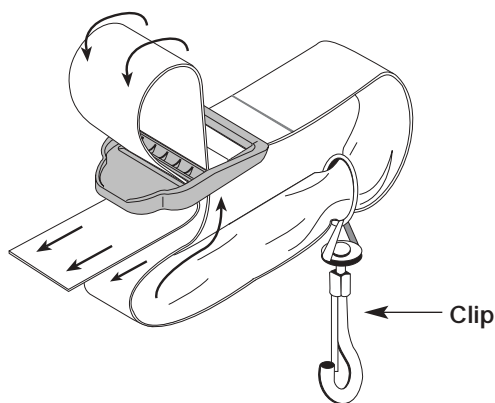


Fig. 7

3. Encliquez le clip dans le support de fixation à l'avant ou à l'arrière de la poignée. Attachez à la partie antérieure de la poignée lorsque vous vous servez de la machine dans sa configuration souffleur, et attachez à la partie postérieure de la poignée lorsque vous vous servez de la machine en configuration aspirateur (Fig. 8).

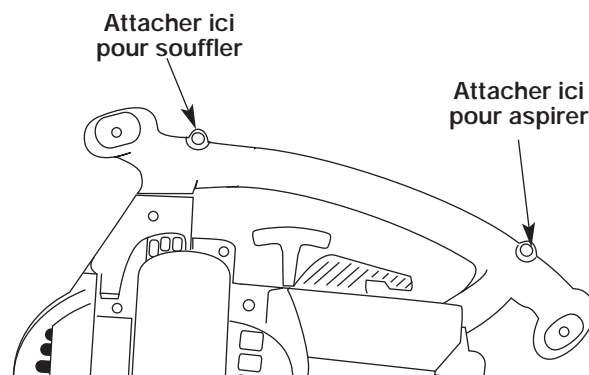


Fig. 8

4. Réglez la longueur en fonction de la taille de l'opérateur. Tirez la languette pour rallonger, ou tirez la bande pour raccourcir (Fig. 9).

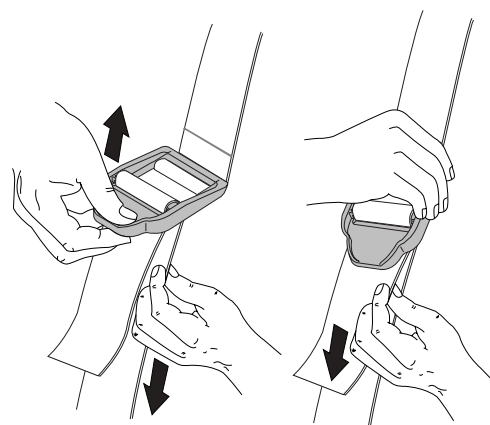


Fig. 9

INFORMATIONS SUR L'HUILE ET LE CARBURANT

MÉLANGE D'HUILE ET DE CARBURANT

En général, si l'appareil ne fonctionne pas correctement, c'est que le carburant est vieux ou mal mélangé. Prenez soin d'utiliser de l'essence sans plomb fraîche et propre. Suivez à la lettre les instructions de mélange de carburant et d'huile.

Définition des carburants mélangés

Les carburants d'aujourd'hui sont souvent un mélange d'essence et d'oxygénés comme l'éthanol, le méthanol ou l'éther MTBE. Un carburant mélangé à l'alcool absorbe l'eau. Il suffit de 1 % d'eau pour séparer le carburant et l'huile. Cela forme de l'acide pendant le stockage. Si vous devez utiliser ce type de carburant, servez-vous de carburant frais (moins de 60 jours).

Usage de carburants mélangés

Si vous choisissez d'utiliser ou ne pouvez éviter d'utiliser un carburant mélangé, suivez les conseils suivants :

- Utilisez toujours un mélange de carburant frais selon le manuel de l'utilisateur.
- Agitez toujours le mélange de carburant avant d'alimenter l'appareil.
- Videz le réservoir et faites marcher le moteur jusqu'à l'assécher avant d'entreposer l'appareil.

Utilisation d'additifs de carburant



La bouteille d'huile 2-temps livrée avec l'appareil contient un additif permettant d'empêcher la corrosion et de minimiser la formation de résidus de gomme. Nous vous recommandons d'utiliser ce type d'huile uniquement.

Si cela n'est pas disponible, utilisez une bonne huile 2-temps conçue pour les moteurs à 2-temps refroidis par air en y ajoutant un additif, tel que le stabilisant de gaz STA-BIL ou un produit équivalent. Ajoutez 23 ml (0,8 oz) d'additif par 4 litres (1 gallon) de carburant selon les instructions du récipient. N'ajoutez JAMAIS d'additifs directement dans le réservoir de l'appareil.

	MISE EN GARDE: Pour assurer un bon fonctionnement et une fiabilité maximale du moteur, suivez à la lettre les instructions de mélange d'huile et de carburant du récipient d'huile 2-temps. L'emploi de carburant mal mélangé peut endommager le moteur sérieusement.
---	--

Mélangez soigneusement l'huile moteur 2-temps avec de l'essence sans plomb dans un bidon séparé. Utilisez un rapport 40:1 d'essence/huile. Ne les mélangez pas directement dans le réservoir de carburant. Voir le tableau ci-dessous pour les rapports de mélange d'essence et d'huile.

REMARQUE : 3,8 litres (1 gallon) d'essence sans plomb mélangés avec une bouteille de 95 ml (3.2 oz) d'huile 2-temps donnent un rapport d'essence/huile de 40:1.

	+	
ESSENCE SANS PLOMB		HUILE 2-TEMPS
3,8 LITRES (1 GALLON US)		95 ml (3,2 OZ)
1 LITRE		25 ml

RAPPORT DE MÉLANGE O - 40:1

	AVERTISSEMENT: L'essence est extrêmement inflammable et les vapeurs qui s'en dégagent peuvent exploser si on y met le feu. Arrêtez toujours le moteur et laissez-le refroidir avant de remplir le réservoir. Ne fumez pas en remplissant le réservoir. Éloignez toute source d'étincelles ou de flammes vives de la zone.
---	--

	AVERTISSEMENT: Enlevez le bouchon du réservoir lentement pour ne pas être blessé par les jets d'essence. Ne faites pas marcher l'appareil sans que le bouchon soit bien mis.
---	---

	AVERTISSEMENT: Ajoutez du carburant dans un lieu propre et bien aéré en plein air. Essayez immédiatement tout déversement de carburant. Évitez de mettre le feu au carburant déversé. Ne démarrez pas le moteur avant dissipation des vapeurs de carburant.
---	--

REMARQUE : Éliminez le vieux mélange de carburant conformément aux règlements fédéral, provincial et municipal en vigueur.

INSTRUCTIONS DE DÉMARRAGE ET ARRÊT



AVERTISSEMENT: n'utiliser l'outil qu'à l'extérieur, dans un endroit bien aéré. Les émanations d'oxyde de carbone dans un endroit confiné peuvent être mortelles.



AVERTISSEMENT: éviter le démarrage accidentel. Se tenir en position de démarrage pour lancer le moteur (Fig. 12 et 13). Lors du démarrage, l'opérateur et l'outil doivent être en position d'équilibre afin d'éviter le risque de blessures graves.

D'autre part, pour le démarrage, l'outil doit toujours être posé sur une surface propre et ferme. Les matériaux tels que le gravier, le sable, la poussière, l'herbe, etc. peuvent être aspirés par l'admission d'air et projetés par la sortie de l'outil.

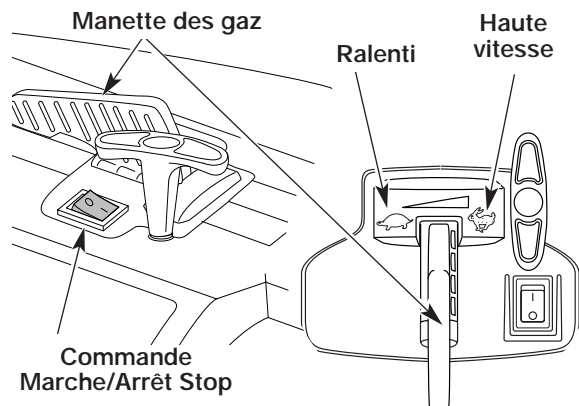


Fig. 10

DÉMARRAGE

- Mélanger l'huile et l'essence et remplir le réservoir. Voir les *Instructions de mélange d'huile et de carburant*.



AVERTISSEMENT: Pour éviter le risque de blessures graves, toujours retirer le sac d'aspirateur avant de faire l'appoint de carburant. Le sac plein risque de s'enflammer.

REMARQUE : Il n'est pas nécessaire de faire démarrer la machine. La commande On/Off (Arrêt/Marche) est en position ON (I) en permanence (Fig. 10)

- Pressez et relâchez la poire d'amorçage à 10 reprises, lentement. Une certaine quantité de **carburant devrait être visible dans la poire d'amorçage** et les conduites de carburant (Fig. 11). Si vous n'apercevez pas de carburant dans la poire, pressez et relâchez la poire autant de fois que nécessaire jusqu'à ce que vous aperceviez du carburant dans cette dernière.
- Mettez le levier d'étrangleur en Position 1 (Fig. 11).
- Mettez l'outil en position de démarrage (Fig. 12 ou 13). Mettez la manette des gaz en position de haute vitesse (🐢).
- Tirez sèchement sur le cordon de démarrage jusqu'à 5 fois.
- Mettez le levier d'étrangleur en Position 2.
- Tandis que vous appuyez sur la manette des gaz, tirez brusquement sur la corde de démarrage 1 à 3 fois pour démarrer le moteur.
- Maintenez la manette des gaz enfoncée et laissez le moteur chauffer pendant 15 à 30 secondes.
- Mettez le levier d'étrangleur en Position 3. La machine est prête à être utilisée.

SI... Le moteur ne démarre pas, retournez à l'étape 2.

SI... Le moteur ne démarre pas après quelques tentatives, placez l'étrangleur en position 3 et mettez la manette des gaz en position de haute vitesse (🐢). Tirez fermement sur le cordon de démarrage entre 3 et 8 fois. Le moteur devrait démarrer. S'il ne démarre pas, recommencez.

SI CHAUD... Le moteur est déjà chaud, assurez-vous que l'interrupteur Marche/Arrêt Stop est en position ON et démarrez la machine avec le levier d'étranglement en position 2. Après que la machine ait démarré, mettez le levier d'étranglement en position 3.

INSTRUCTIONS D'ARRÊT

- Mettez la manette des gaz en position de ralenti (🐌). Laissez le moteur se refroidir au ralenti.
- Appuyez sur la commande Marche/Arrêt Stop et maintenez-la en position **ARRÊT** (O) jusqu'à ce que le moteur s'arrête complètement.

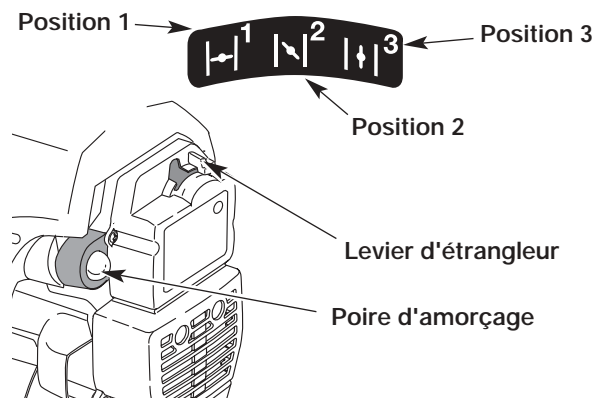


Fig. 11

Position de démarrage du souffleur

Corde de démarrage



Fig. 12

Position de démarrage de l'aspirateur

Corde de démarrage

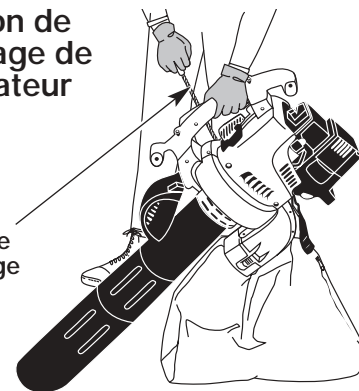


Fig. 13

MODE D'EMPLOI

TENUE DE LA SOUFFLEUSE/ASPIRATEUR

Avant d'utiliser l'outil, se tenir en position de travail et effectuer les vérifications suivantes :

- L'utilisateur doit porter une tenue appropriée, c'est-à-dire des chaussures de travail, des lunettes de sécurité, une protection auditive, des gants, des pantalons longs et une chemise à manches longues.



AVERTISSEMENT: pour éviter les risques de blessures, toujours porter des lunettes de sécurité lors de l'utilisation de cet outil. Porter un masque respiratoire dans les endroits poussiéreux.

- Si l'endroit est poussiéreux, porter un masque anti-poussière.
- S'assurer que l'outil est en bon état de marche.
- Vérifier que les tubes et protection sont en place et bien assujettis.



AVERTISSEMENT: pour éviter les risques de blessures à l'opérateur ou aux personnes présentes, ainsi que des dommages à l'outil, s'assurer que les tubes de souffeuse ou les tubes et le sac d'aspirateur sont en place (suivant le modèle) avant d'utiliser l'outil.

CONSEILS PRATIQUES

- Lors du démarrage, veiller à ne pas diriger l'outil vers des personnes ou des débris.
- S'assurer que l'outil est en bon état de marche. Vérifier que les tubes et protection sont en place et bien assujettis.
- Lorsque la souffeuse est utilisée à hauteur des hanches ou dans une position inhabituelle, il est recommandé de la tenir à deux mains.
- Utiliser une protection auditive pour éviter les risques de perte de l'ouïe causée par un niveau de bruit élevé.
- N'utiliser l'outil qu'à des heures raisonnables, c'est-à-dire pas trop tôt le matin ou tard le soir lorsque cela peut déranger les personnes vivant aux environs. Se conformer aux réglementations locales qui sont habituellement de 9 à 17 heures, du lundi au samedi.
- Pour réduire le niveau sonore, utiliser le moins possible d'outils motorisés en même temps.
- Pour réduire le niveau sonore utiliser la souffeuse au régime minimum permettant de s'acquitter de la tâche.
- Vérifier l'équipement avant de commencer le travail, en particulier le silencieux, l'admission d'air et les filtres à air.
- Utiliser un râteau ou un balai pour séparer les débris avant de les souffler.
- Dans les endroits poussiéreux, humecter légèrement l'aire de travail ou utiliser un accessoire de pulvérisation si une source d'eau est disponible.
- Conserver l'eau en utilisant la souffeuse au lieu d'un tuyau d'arrosage pour le nettoyage des endroits tels que les gouttières, moustiquaires, patios, grills, porches et jardins.

- Prendre garde aux enfants, animaux domestiques, fenêtres ouvertes et véhicules fraîchement lavés, et souffler les débris à l'opposé de tels obstacles.
- Utiliser la tubulure complète afin que l'embout reste près du sol.
- Après utilisation d'une souffeuse ou d'autres outils motorisés, Nettoyer la zone de travail. Jeter les débris dans des poubelles.

UTILISATION DE LA SOUFFLEUSE

- 1 Utiliser la souffeuse pour le déblayage des arbres, buissons, massifs de fleurs et autres endroits difficiles à nettoyer (Fig. 14).
2. Utiliser l'outil pour le nettoyage des bâtiments et autres applications normales (Fig. 14).
3. Utiliser la souffeuse pour le nettoyage des murs, surplombs, palissades et moustiquaires (Fig. 15).

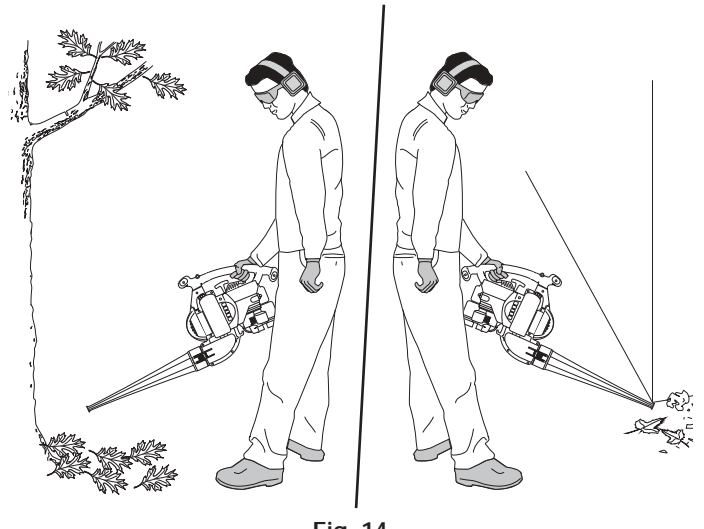


Fig. 14

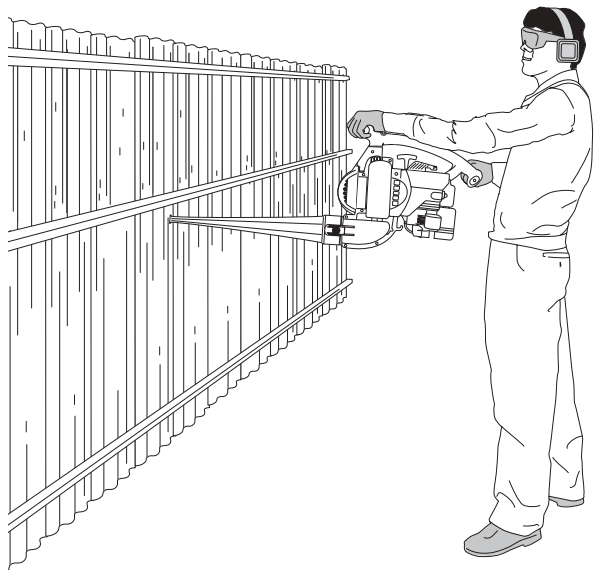


Fig. 15

MODE D'EMPLOI

UTILISATION DE L'ASPIRATEUR



AVERTISSEMENT: Pour éviter des blessures graves et ne pas endommager l'appareil utilisé comme aspirateur, installez toujours les tubes et le sac d'aspirateur, et assurez-vous que la fermeture éclair du sac est fermée.

Vérifiez les points suivants :

- L'opérateur porte des vêtements appropriés : bottes, lunettes de sécurité, protège-oreilles, gants, pantalons et chemises à manches longues.
- L'opérateur porte un masque facial ou antipoussières dans les lieux poussiéreux.
- L'appareil est en bon état de fonctionnement. Les tubes et le sac d'aspirateur sont solidement fixés.
- Le harnais du sac d'aspirateur est installé et bien réglé.

Utilisez l'appareil pour aspirer des débris légers, des feuilles, du papier etc.

Tenez l'aspirateur en inclinant un peu le tube de succion, et aspirez les débris légers d'un mouvement de balayage (Fig. 16). Ceci permet aux débris de s'engouffrer dans le sac de l'aspirateur. Les petites feuilles et brindilles sont déchiquetées dans le boîtier du ventilateur pour accroître la capacité du sac.

Lorsque le sac est plein, l'aspiration faiblit de façon notable. Éteignez l'appareil et laissez l'hélice s'arrêter avant d'ouvrir le sac. Ouvrez la fermeture éclair et videz le contenu du sac avant de continuer. Voir *Vider le sac d'aspirateur*.



AVERTISSEMENT: Afin d'éviter des blessures graves, n'ouvrez jamais le sac avant d'éteindre l'appareil.



AVERTISSEMENT: En tant qu'aspirateur, l'appareil est conçu pour ramasser des matériaux secs comme des feuilles, de l'herbe, des brindilles et des morceaux de papier. Pour éviter des blessures graves, n'essayez pas d'aspirer des débris humides et/ou de l'eau stagnante car cela peut endommager la souffeuse/aspirateur. Pour éviter d'endommager sérieusement l'hélice, n'aspirez pas de métal, de verre brisé, etc.



AVERTISSEMENT: Évitez les situations pouvant mettre le feu au sac d'aspirateur. Ne faites pas marcher près d'une flamme vive. N'aspirez pas les cendres chaudes des foyers à bois ou de barbecue, des tas de broussailles, etc. ni les cigares ou cigarettes à moins que les cendriers soient complètement refroidis.



AVERTISSEMENT: Lorsque les tubes d'aspiration supérieur et inférieur sont retirés, assurez-vous que la porte de l'aspirateur est bien fermée avant d'utiliser l'appareil et ce afin d'éviter de vous blesser avec l'hélice.

Vider le sac d'aspirateur

1. Portez un protecteur oculaire et un masque antipoussières, ouvrez la fermeture éclair et videz le contenu du sac dans un sac de poubelle ou un récipient.



AVERTISSEMENT: Pour éviter des blessures graves, éteignez l'appareil et laissez l'hélice s'arrêter avant d'ouvrir la porte de l'aspirateur ou d'installer ou de retirer le sac.

2. Retournez le sac à l'envers après l'avoir vidé pour la première fois et secouez-le vigoureusement pour éliminer poussière et débris.
3. Fermez le sac et remettez-le en place.



Fig. 16

ENTRETIEN ET RÉPARATIONS

REMARQUE : certaines procédures d'entretien nécessitent des compétences ou des outils particuliers. Si vous n'êtes pas sûr de pouvoir les entreprendre, emmenez votre appareil dans un atelier, chez un technicien ou un concessionnaire agréé spécialisé dans les réparations de moteurs d'outils mécaniques de plein air.

REMARQUE: l'entretien, le remplacement ou la réparation des dispositifs et systèmes antipollution peuvent être effectués par tout atelier, technicien ou concessionnaire agréé spécialisé dans les réparations de moteurs d'outils mécaniques de plein air.

PROGRAMME D'ENTRETIEN

L'entretien doit respecter la fréquence indiquée dans le tableau ci-dessous. Il doit également faire partie de toute mise au point saisonnière.



AVERTISSEMENT: pour éviter tout accident, n'effectuez jamais l'entretien ou des réparations quand l'appareil fonctionne. Effectuez-les toujours lorsqu'il est froid. Débranchez le câble de la bougie pour prévenir la mise en route.

Afin d'assurer une performance optimale du moteur, il est conseillé d'examiner l'orifice d'échappement du moteur après 50 heures de fonctionnement. Si vous remarquez une perte de tours par minute, une pauvre performance ou un manque général d'accélération, cet entretien peut s'avérer nécessaire. Si vous pensez que le moteur a besoin de ce type d'inspection, apportez-le pour réparation auprès d'un atelier, technicien ou concessionnaire agréé spécialisé dans les réparations de moteurs d'outils mécaniques de plein air. N'essayez PAS de le faire vous-même car un endommagement du moteur pourrait résulter de la présence d'impuretés provenant du nettoyage de l'orifice.

FRÉQUENCE	ENTRETIEN REQUIS	RÉFÉRENCE
Avant démarrage	Remplissez le réservoir du mélange d'essence/huile approprié	Page F11
Toutes les 10 heures	Nettoyez le filtre à air et lubrifiez-le de nouveau	Page F15
Toutes les 25 heures	Vérifiez le pare-étincelles et nettoyez-le Vérifiez l'état de la bougie et l'écartement des électrodes	Page F16 Page F18
Toutes les 50 heures	Examinez l'orifice d'échappement et l'écran pare-étincelles pour détecter tout bouchage ou obstruction, afin d'assurer des niveaux de performance maximum.	Page F16

ENTRETIEN DU FILTRE À AIR



AVERTISSEMENT: pour éviter des blessures graves, éteignez toujours l'appareil et laissez-le refroidir avant tout nettoyage ou entretien.

Retrait du couvercle du filtre à air/silencieux

1. Mettez le levier d'étrangleur en Position 2.

REMARQUE: pour enlever le couvercle du filtre à air/silencieux, le levier d'étrangleur doit être en Position 2 (Fig. 17).

2. Retirez les quatre (4) vis retenant le couvercle du filtre à air/silencieux (Fig. 17). Servez-vous d'un tournevis à mèche no. 20 Torx.

3. Retirez le couvercle du moteur. Ne forcez pas.

NETTOYAGE DU FILTRE À AIR

Nettoyez et relubrifiez le filtre à air à toutes les 10 heures de fonctionnement. C'est l'un des éléments les plus importants pour l'entretien. Tout manquement à l'entretien du filtre à air peut entraîner une baisse de performances ou causer des dégâts permanents à votre moteur.

1. Retirez le filtre à air/couvercle du silencieux. Voir la section *Retrait et installation du filtre à air/couvercle du silencieux*.
2. Retournez le couvercle et inspectez l'intérieur pour repérer le filtre à air. Retirez le filtre à air de l'intérieur du couvercle du filtre à air/silencieux (Fig. 18).

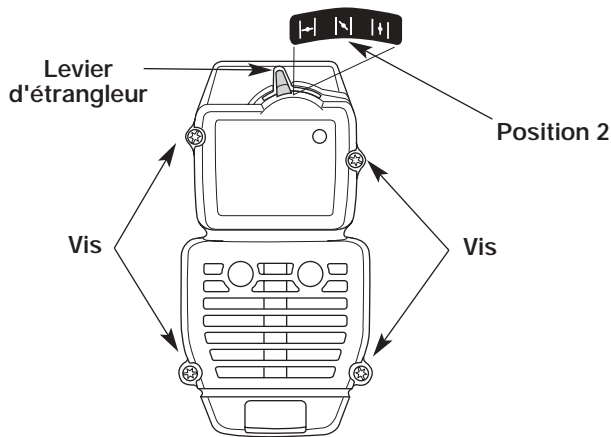


Fig. 17

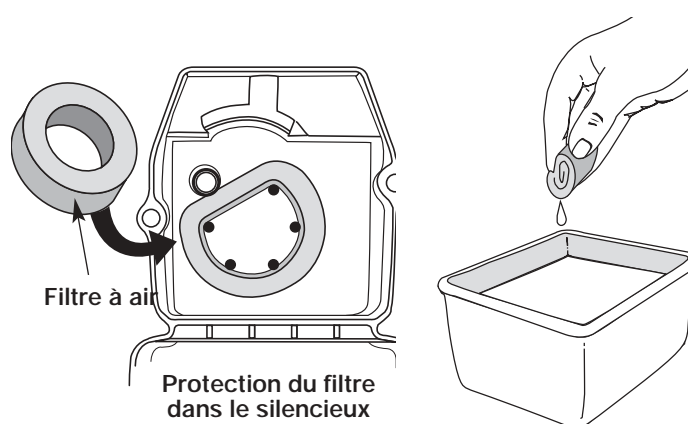


Fig. 18

Fig. 19

ENTRETIEN ET RÉPARATIONS

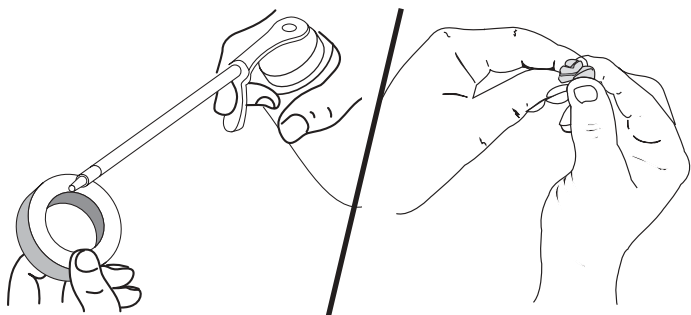


Fig. 20

Fig. 21

3. Lavez le filtre dans un mélange d'eau et de détergent (Fig. 19). Rincez le filtre abondamment. Essorez l'excédent d'eau. Laissez sécher complètement.
4. Appliquez suffisamment d'huile propre SAE 30 pour enduire légèrement le filtre (Fig. 20).
5. Pressez le filtre pour répartir et drainer l'excédent d'huile (Fig. 21).
6. Remplacez le filtre à air dans le filtre à air/couvercle du silencieux (Fig. 18).

REMARQUE : l'utilisation de l'appareil sans filtre à air et sans ensemble filtre à air/couvercle du silencieux ANNULERA la garantie.

Réinstallation du filtre à air/couvercle du silencieux

1. Placez le filtre à air/couvercle du silencieux sur l'endos du carburateur et du silencieux. Alignez les trous à vis.
2. Insérez les quatre (4) vis dans les trous du filtre à air/couvercle du silencieux (Fig. 17) et vissez sans trop serrer.

ENTRETIEN DU PARE-ÉTINCELLES

REMARQUE : Les gaz de l'échappement ne peuvent circuler que dans une direction: A L'ÉCART du moteur. Assurez-vous que l'ensemble du silencieux est bien assemblé afin que vous puissiez le remonter exactement comme il était. Tout manquement peut entraîner de graves blessures.

1. Retirez le couvercle du filtre à air/silencieux. Voir *Retrait du couvercle du filtre à air/silencieux*.
2. Situez le pot d'échappement sans le retirer. Trouvez les deux (2) vis sur la partie inférieure du pot d'échappement (Fig. 22) Ces deux vis tiennent l'ensemble du déflecteur d'échappement et l'écran pare-étincelles à la partie inférieure du pot d'échappement. Retirez les deux (2) vis en vous servant soit d'un tournevis torx #20 ou d'un tournevis plat.
3. En vous servant du tournevis plat, écarterz soigneusement l'écran pare-étincelles du trou à fente, en prenant soin que la partie « élevée » de l'écran du pare-étincelle soit à l'intérieur du trou à fente. Retirez l'écran pare-étincelles du pot d'échappement.

4. Nettoyez l'écran du pare-étincelles à l'aide d'une brosse métallique. Remplacez-le s'il est endommagé ou si vous n'arrivez pas à le nettoyer complètement.
5. Réinstallez l'écran pare-étincelles en mettant la portion « élevée » de l'écran dans le trou à fente du port d'échappement. Assurez-vous que l'écran pare-étincelle soit bien à plat contre le pot d'échappement.
6. Placez la plaque du pare-étincelle au dessus du pare-étincelles avec le côté « élevé » vers le haut et l'ouverture vers le moteur (Fig. 22).
7. Placez la hotte du pare-étincelle sur la plaque du pare-étincelle avec le côté « élevé » vers le haut et l'ouverture tournée DU COTE OPPOSE au moteur (Fig. 22). Assurez-vous que l'échappement soit bien tourné DU COTE OPPOSE au moteur.
8. Revisez les deux vis que vous avez retirées à l'étape 2 et serrez-les bien.
9. Remplacez le couvercle du filtre à air/silencieux.



AVERTISSEMENT: si l'ensemble déflecteur d'échappement n'est pas solidement assujéti, il risque de tomber et d'endommager l'outil et de causer des blessures graves.

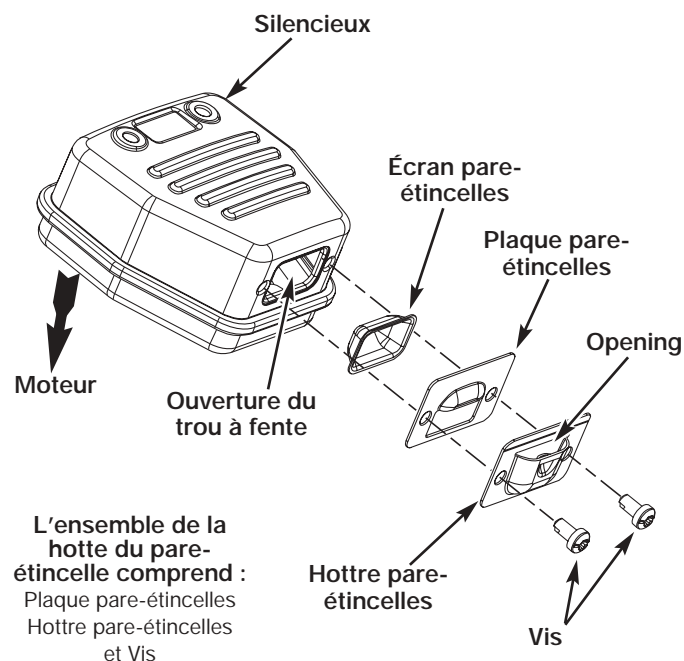


Fig. 22

RÉGLAGE DU CARBURATEUR

Le régime ralenti du moteur est réglable par le couvercle du filtre à air/silencieux (Fig. 23).

REMARQUE : des réglages non soigneux peuvent endommager sérieusement l'appareil. Les réglages de carburateur doivent être faits par un concessionnaire agréé.

Vérification du mélange de carburant

En général, si l'appareil ne fonctionne pas correctement, c'est que le carburant est vieux ou mal mélangé. Videz puis remplissez le réservoir de carburant frais et bien mélangé avant d'effectuer des réglages. Voir la section *Informations sur l'huile et le carburant*.

Nettoyage du filtre à air

L'état du filtre à air est très important pour le fonctionnement de l'appareil. Un filtre à air sale restreint le débit d'air et affecte le mélange de carburant/air. On confond cela souvent avec un mauvais réglage du carburateur. Vérifiez l'état du filtre à air avant de régler la vis de réglage de ralenti. Voir *Entretien du filtre à air*.

Réglage de la vis de réglage de ralenti



AVERTISSEMENT: L'appareil doit être

en marche pendant le réglage du ralenti. Portez des vêtements protecteurs et respectez toutes les consignes de sécurité pour éviter des blessures graves.

De plus, posez l'appareil sur une surface propre et dure uniquement lors du démarrage ou d'un réglage. Les débris tel que gravier, sable, poussière, herbe, etc. peuvent être aspirés par la prise d'air et rejetés par l'ouverture de décharge, endommageant ainsi l'appareil ou des biens matériels ou causant des blessures graves aux personnes.

Si le moteur ne se met toujours pas au ralenti après vérification du mélange de carburant et nettoyage du filtre à air, réglez la vis de ralenti comme suit :

1. Démarrez le moteur et laissez-le tourner à haut régime pendant une minute pour se réchauffer.

2. Relâchez le levier d'accélérateur et laissez le moteur au ralenti. Si le moteur s'arrête, insérez un petit tournevis à embout cruciforme ou à tête plate dans le trou du couvercle du filtre à air/silencieux (Fig. 23). Vissez la vis de réglage du ralenti de 1/8 de tour à la fois (selon le besoin) jusqu'à ce que le moteur se mette bien au ralenti
3. Si le ralenti semble trop rapide, dévissez la vis de réglage du ralenti de 1/8 de tour à la fois (selon le besoin) pour réduire la vitesse de ralenti.

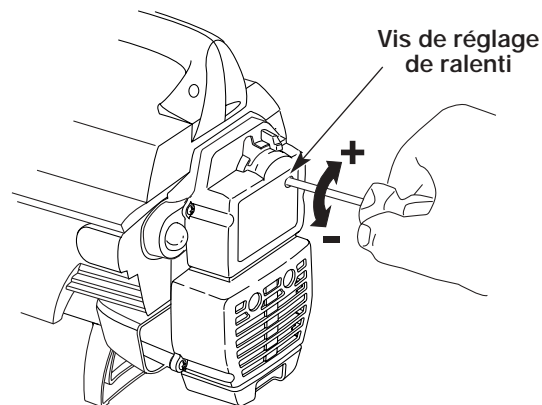


Fig. 23

La vérification du mélange de carburant, le nettoyage du filtre à air et le réglage de la vis de ralenti devraient résoudre la plupart des problèmes de moteur.

Dans le cas contraire et si :

- Le moteur ne se met pas au ralenti
- Le moteur hésite ou se cale lors d'une accélération
- Le moteur perd de la puissance

faites régler le carburateur par un concessionnaire agréé.

ENTRETIEN ET RÉPARATIONS

REMPACEMENT DE LA BOUGIE

Utilisez une bougie #610311 (ou un Champion RDJ7Y).

L'écartement correct est de **0,5 mm (0,020 po)**.

Retirez la bougie après **25 heures** de fonctionnement et vérifiez son état.

1. Arrêtez le moteur et laissez-le refroidir. Saisissez fermement le câble de la bougie et retirez le capuchon de celle-ci.
2. Nettoyez toute saleté de la bougie. Retirez la bougie de la culasse en tournant la douille de 5/8 po à gauche.
3. Remplacez toute bougie fendillée, encrassée ou sale. Réglez l'écartement à **0,5 mm (0,020 po)** à l'aide d'une jauge d'épaisseur (Fig. 24).



MISE EN GARDE: évitez de sabler, gratter ou nettoyer les électrodes car de la saleté dans le moteur pourrait endommager le cylindre.

4. Installez la bougie avec un écartement correct dans la culasse en tournant la douille de 5/8 po à droite jusqu'à la bien visser.

Si vous utilisez une clé dynamométrique vissez avec les valeurs de couple suivantes :

110-120 po•lb (12,3-13,5 N•m).

Évitez de trop serrer.

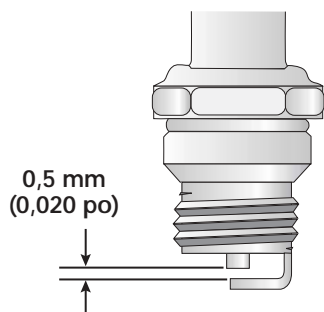


Fig. 24

DÉGAGEMENT D'UN(E) TUBE/ HÉLICE BLOQUÉ(E)



AVERTISSEMENT: Pour éviter des blessures graves, éteignez l'appareil avant tout nettoyage ou entretien.



AVERTISSEMENT: Pour éviter des blessures graves, portez toujours des gants pour vous protéger des lames de l'hélice ou d'autres objets tranchants.

1. Appuyez sur la commande Marche/Arrêt Stop et maintenez-la en position **ARRÊT (O)** jusqu'à ce que le moteur s'arrête complètement (Fig. 10).
2. Déconnectez le câble de bougie pour empêcher l'appareil de démarrer.
3. Retirez le tube de la soufflante/aspirateur et le sac de l'aspirateur.
4. Enlevez soigneusement tout matériau bloquant le tube ou l'hélice. Inspectez les lames pour vous assurer qu'elles ne sont pas endommagées. Tournez les lames de l'hélice à la main pour vous assurer qu'elles ne sont plus bloquées.
5. Réinstallez le sac d'aspirateur et le tube de souffluse/aspirateur.
6. Rebranchez le câble de la bougie.

ENTRETIEN ET RÉPARATIONS

NETTOYAGE



AVERTISSEMENT: pour éviter des blessures graves, éteignez toujours l'appareil et laissez-le refroidir avant tout nettoyage ou entretien.

Nettoyer l'extérieur de l'outil à l'aide d'une petite brosse. Ne pas utiliser de détergents puissants. Les produits ménagers contenant des huiles aromatiques tel que le pin et le citron et les solvants tel que le kérosène peuvent endommager le boîtier ou la poignée en plastique. Essuyer toute trace d'humidité à l'aide d'un chiffon doux.

NETTOYAGE DU SAC D'ASPIRATEUR

1. Videz le sac après chaque utilisation pour éviter toute détérioration et ne pas restreindre le débit d'air, ce qui affaiblirait les performances de l'aspirateur.
2. Portez un protecteur oculaire et un masque antipoussières pour nettoyer le sac. Retournez le sac à l'envers après l'avoir vidé pour la première fois et secouez-le vigoureusement pour éliminer poussière et débris.
3. Lavez le sac une fois par an ou plus selon le besoin :
 - a. Retirez le sac d'aspirateur.
 - b. Retournez-le à l'envers.
 - c. Suspendez-le.
 - d. Lavez-le abondamment avec un tuyau.
 - e. Suspendez-le et laissez sécher.
 - f. Retournez le sac à l'endroit et remettez-le en place.

REMISAGE

- Ne jamais remiser l'outil plein de carburant dans un lieu où les vapeurs peuvent atteindre une flamme vive ou des étincelles.
- Laisser le moteur refroidir avant le remisage.
- Remiser l'outil dans un lieu verrouillé pour éviter toute utilisation non autorisée ou éviter des dommages.
- Remiser l'outil dans un lieu sec et bien aéré.
- Remiser l'outil hors de portée des enfants.

REMSISAGE À LONG TERME

Si l'outil doit être remisé pour une période prolongée, procéder comme suit :

1. Vider tout le carburant du réservoir dans un récipient contenant le même mélange 2-temps. Ne pas utiliser de carburant entreposé pendant plus de 60 jours. Éliminer le vieux mélange de carburant conformément aux réglementations gouvernementales et locales en vigueur.
2. Démarrer le moteur, puis le laisser tourner jusqu'à ce qu'il cale afin de brûler tout le carburant.
3. Laisser le moteur refroidir. Retirer la bougie et verser environ 30 ml (1 oz) d'huile moteur 2-temps de bonne qualité dans le cylindre. Tirer lentement sur la corde de démarrage pour bien répartir l'huile. Remettre la bougie en place.

REMARQUE : retirer la bougie et vider toute l'huile du cylindre avant de démarrer l'outil après une période de remisage.

4. Nettoyer soigneusement l'outil et vérifier qu'il n'y a pas de pièces desserrées ou endommagées. Réparer ou remplacer les pièces endommagées, puis serrer les vis, écrous et boulons selon le besoin. L'outil est alors prêt pour le remisage.

TRANSPORT

- Laisser le moteur refroidir avant le transport.
- Bien arrimer l'outil pour le transport.
- Vider tout le carburant de l'outil.
- Serrer le bouchon du réservoir avant le transport.

DÉPANNAGE

LE MOTEUR NE DÉMARRE PAS

CAUSE

Étrangleur en position incorrecte
Réservoir de carburant vide
La poire d'amorçage n'a pas été enfoncée un nombre de fois suffisant
Moteur noyé
Carburant vieux ou mal mélangé
Bougie encrassée
Pare-étincelles colmaté

SOLUTION

Voir les instructions de démarrage/arrêt
Le remplir de carburant bien mélangé
Le remplir de carburant bien mélangé. L'enfoncer complètement et lentement 10 fois
Démarrez la machine avec l'étrangleur en position 3
Vider le réservoir/ajouter du carburant frais
La remplacer ou la nettoyer
Nettoyez ou remplacez le pare-étincelles

LE MOTEUR NE GARDE PAS LE RALENTI

CAUSE

Filtre à air colmaté
Carburant vieux ou mal mélangé
Mauvais réglage du carburateur

SOLUTION

Le remplacer ou le nettoyer
Vider le réservoir/ajouter du carburant frais
Ajuster selon les instructions

LE MOTEUR N'ACCÉLÈRE PAS

CAUSE

Carburant vieux ou mal mélangé
Mauvais réglage du carburateur
Filtre à air sale
Pare-étincelles colmaté

SOLUTION

Vider le réservoir/ajouter du carburant frais
Le faire régler par un concessionnaire agréé
Le remplacer ou le nettoyer
Nettoyez ou remplacez le pare-étincelles

LE MOTEUR MANQUE DE PUISSANCE OU CALE

CAUSE

Carburant vieux ou mal mélangé
Filtre à air colmaté
Mauvais réglage du carburateur
Bougie encrassée
Pare-étincelles colmaté

SOLUTION

Vider le réservoir/ajouter du carburant frais
Le remplacer ou le nettoyer
Le faire régler par un concessionnaire agréé
La remplacer ou la nettoyer
Nettoyez ou remplacez le pare-étincelles

L'APPAREIL NE SOUFFLE/N'ASPIRE PAS

CAUSE

Sac plein
Tube bouché
Hélice bouchée
Hélice endommagée

SOLUTION

Videz le sac, voir *Vider le sac d'aspirateur*
Dégagez le tube, voir *Dégagement d'un(e) tube/hélice bloqué(e)*
Dégagez le tube, voir *Dégagement d'un(e) tube/hélice bloqué(e)*
Confiez l'appareil à un concessionnaire agréé

Pour toute assistance, contacter le concessionnaire agréé.

CARACTÉRISTIQUES

MOTEUR*

Type de moteur	Refroidi par air, 2-temps
Cylindrée	31 cc (1,9 po ³)
Régime de fonctionnement (Aspirateur)	6.800+ tr/min
Régime de fonctionnement (Souffleuse)	7.200+ tr/min
Régime ralenti	3.200-4.400 tr/min
Type d'allumage.....	Électronique
Commande Marche/Arrêt Stop.....	Interrupteur berceau
Écartement de la bougie.....	0,5 mm (0,020 po)
Lubrification	Mélange carburant/huile
Rapport carburant/huile	40:1
Carburateur	Membrane, toutes positions
Démarrateur.....	Rembobinage automatique
Silencieux.....	Chicane avec protection
Capacité du réservoir de carburant.....	384 ml (13 oz)

SOUFFLEUSE/ASPIRATEUR*

Manette des gaz	Détente à portée du doigt
Vélocité de la souffleuse	322 km/h (200 m/h) max.
Sortie d'air de la souffleuse.....	12,1 m ³ /min (425 pi ³ /min) max.
Rapport de paillage.....	10:1 max.
Capacité du sac d'aspirateur	52,8 l (1,5 boisseaux)
Poids à vide (sans carburant, avec tube de souffleuse).....	5,2 kg (11,4 lb)

*Toutes les spécifications contenues dans ce manuel tiennent compte des dernières informations techniques disponibles au moment de mettre sous presse. Nous nous réservons le droit d'y apporter des modifications à tout moment, sans préavis.

REMARQUES

Garantie portant sur les normes antipollution de l'EPA et la California

Vos droits et obligations en vertu de cette garantie

Le California Air Resource Board, la Environmental Protection Agency et MTD LLC (MTD) ont le plaisir de présenter la garantie du dispositif antipollution des petits moteurs à usage tout-terrain datant de 2000 et au-delà. Les nouveaux petits moteurs à usage tout-terrain doivent être conçus, construits et équipés pour être conformes aux strictes normes anti-smog. MTD doit garantir le système de contrôle des émissions de votre petit moteur à usage tout-terrain pendant les périodes de temps indiquées ci-dessous à condition que le moteur n'ait pas souffert d'abus, de négligence ou fait l'objet d'un mauvais entretien.

Votre dispositif antipollution peut inclure des pièces diverses tel que le carburateur ou un système d'injection, le dispositif d'allumage et un convertisseur catalytique. Il pourrait aussi inclure des tuyaux, courroies, connecteurs et autres ensembles de pièces relatives aux émissions.

Advenant une situation couverte par la garantie, MTD réparera votre petit moteur à usage tout-terrain sans frais aucun y compris le diagnostic, les pièces et la main d'œuvre.

Les moteurs à usage tout-terrain datant de 2000 et plus sont garantis pendant deux ans. Si une pièce de votre moteur relative aux émissions devenait défectueuse, MTD la réparera ou la remplacera.

Responsabilités du propriétaire en vertu de cette garantie

- En tant que propriétaire d'un petit moteur à usage tout-terrain, vous êtes responsable des entretiens requis indiqués dans votre manuel de l'utilisateur. MTD recommande que vous conserviez tous les reçus d'entretien de votre petit moteur à usage tout-terrain. MTD ne peut toutefois réfuter votre garantie juste parce que vous n'avez pas les reçus ou si vous ne veillez pas à ce que les travaux d'entretien prévus soient effectués.
- En tant que propriétaire d'un petit moteur à usage tout-terrain, sachez que MTD peut refuser de vous couvrir sous garantie si votre moteur ou si une pièce sont défectueux pour cause d'abus, de négligence, d'entretien incorrect ou de modifications non autorisées.
- Il vous incombe de présenter votre petit moteur à usage tout-terrain à un centre de service agréé MTD dès que le problème fait son apparition. Les réparations sous garantie doivent être achevées dans une durée de temps raisonnable ne dépassant en aucun cas 30 jours.

Si vous avez des questions au sujet de vos droits et responsabilités en vertu de cette garantie, appelez le 1-800-345-8746.

Garantie du fabricant

- La période de garantie commence à la date où le moteur ou l'équipement est livré à l'acheteur au détail.
- Le fabricant garantit au propriétaire initial et à chaque acheteur subséquent que le moteur est libre de défauts de matériaux et de vices de fabrication pouvant provoquer la défaillance d'une pièce garantie pendant une période de deux ans.
- Toute réparation ou remplacement d'une pièce garantie devra être effectué sans aucun frais au compte du propriétaire par un centre de service MTD agréé. Pour connaître le centre le plus proche de vous, veuillez contacter MTD à : 1-800-345-8746.
- Toute pièce garantie dont le remplacement n'est pas prévu dans le cadre des entretiens requis, ou dont uniquement une inspection normale est prévue selon le principe de "réparation ou remplacement au besoin", est garantie pendant la période de garantie. Toute pièce garantie dont le remplacement est prévu dans le cadre des entretiens requis sera garantie pendant la période de temps allant jusqu'à la date du premier remplacement prévu pour cette pièce.
- Le propriétaire ne subira pas de frais relatifs à un travail de diagnostic qui conclut que la pièce garantie est défectueuse si le travail de diagnostic a été effectué chez un centre de service MTD agréé.
- Le fabricant est responsable de tous les dommages occasionnés aux autres composants du moteur par la défaillance d'une pièce encore sous garantie.
- Les défaillances causées par l'abus, la négligence ou un mauvais entretien ne sont pas couvertes par cette garantie.
- L'utilisation d'un ajout ou de pièces modifiées peut justifier le refus d'une réclamation au titre de la garantie. Le fabricant n'est pas responsable des défaillances des pièces garanties découlant de l'utilisation d'ajouts ou de pièces modifiées.
- Pour déposer une réclamation, adressez-vous au centre de service MTD agréé le plus proche. Les services ou réparations sous garantie sont offerts par tous les centres de service MTD agréés.
- Toutes les pièces de rechange approuvées par le fabricant peuvent être utilisées dans le cadre d'un entretien ou d'une réparation sous garantie de pièces relatives au dispositif antipollution et sont fournies sans frais. Toute pièce de rechange équivalente en termes de performances ou de durabilité peut être utilisée lors d'un entretien ou d'une réparation hors garantie et ne diminue pas les obligations qui incombent au fabricant en vertu de la garantie.
- Les composants suivants sont inclus dans la garantie relative au système antipollution du moteur : filtre à air, carburateur, poire d'amorçage, conduites de carburant, alimentation d'arrivée, filtre à carburant, module d'allumage, bougie et silencieux.

GARANTIE LIMITÉE DU FABRICANT POUR:



La garantie limitée énoncée ci-après est accordée par MTD LLC (« MTD ») et concerne les marchandises neuves achetées et utilisées aux États-Unis, ainsi que dans leurs possessions et territoires.

MTD garantit ce produit contre tout vice de matière ou de façon pendant une période de deux (2) ans à compter de la date d'achat initiale et elle se réserve le choix de réparer ou de remplacer, à titre gratuit, toute pièce présentant un vice de matière ou de façon. Cette garantie limitée ne s'appliquera que dans la mesure où le produit aura été utilisé et entretenu conformément au Guide de l'utilisateur fourni avec le produit et n'aura pas fait l'objet d'un usage inadéquat, abusif, commercial ou négligent, d'un accident, d'un entretien inadéquat, d'une modification, de vandalisme, d'un vol, d'un incendie, de dégâts d'eau ou d'un endommagement résultant d'un autre péril ou d'un désastre naturel. Les dommages résultants de l'installation ou de l'utilisation de tout accessoire ou équipement non approuvé par MTD pour une utilisation avec le(s) produit(s) couvert(s) par le présent guide annuleront la garantie et ce qui concerne les dommages qui en résulteraient éventuellement. La présente garantie est limitée à quatre-vingt-dix (90) jours à compter de la date d'achat au détail initiale pour tout produit MTD utilisé à des fins locatives ou commerciales, ou toute utilisation produisant des revenus.

POUR L'ENTRETIEN-DÉPANNAGE : L'Entretien-dépannage au titre de la garantie est disponible, SUR PRÉSENTATION DE PREUVE D'ACHAT, AUPRÈS DU DISTRIBUTEUR AGRÉÉ LOCAL. Pour obtenir le nom du distributeur agréé local, consulter les Pages Jaunes ou se mettre en rapport avec le Service après-vente de MTD LLC. en appelant le 1-800-345-8746 ou en écrivant au P.O. Box 361131, Cleveland OH 44136-0019 ou en appelant le 1-800-668-1238 au Canada. Aucun produit retourné à l'usine sans permission écrite préalable du service après-vente de MTD LLC ne sera accepté.

La garantie limitée n'offre aucune couverture dans les cas suivants :

- A. Mises au point – Bougies, réglages de carburateur, filtres.
- B. Articles d'usure – Bouton de butée, bobines extérieures, fil de coupe, bobines intérieures, poulie de démarrage, cordes de démarrage, courroies d'entraînement.
- C. MTD n'accorde aucune garantie pour les produits vendus ou exportés des États-Unis, de leurs possessions et territoires, exception faite en ce qui concerne les produits vendus par l'intermédiaire de ses canaux agréés de distribution à l'exportation.

MTD se réserve le droit de modifier ou d'améliorer la conception de tout produit MTD sans assumer l'obligation de modifier tout produit d'une fabrication plus ancienne.

Aucune garantie implicite, y compris toute garantie de valeur marchande ou d'adaptation à une fin particulière, ne s'applique après la période applicable de garantie expresse écrite ci-dessus concernant les pièces qui sont identifiées. Aucune autre garantie ou caution expresse, écrite ou orale, à l'exception de celle mentionnée ci-dessus, accordée par toute personne ou entité, y compris tout distributeur ou détaillant, concernant tout produit n'engagera la responsabilité de MTD. Pendant la période de la présente garantie, le remède exclusif est la réparation ou le remplacement du produit dans les conditions énoncées ci-dessus. (Certains états ne permettent pas la limitation de la garantie implicite, il est donc possible que la limitation ci-dessus ne s'applique pas à vous.)

Les clauses énoncées dans la présente Garantie constituent le recours unique et exclusif inhérent aux ventes. MTD ne sera en aucun cas tenue pour responsable de tout dommage indirect ou consécutif ou de dommages comprenant, entre autres mais pas seulement, les dépenses encourues du fait du recours à des services de remplacement ou de substitution pour l'entretien des pelouses, le transport ou des frais connexes, ou les frais entraînés par une location destinée à remplacer provisoirement un produit sous garantie. (Certains états ne permettent pas la limitation de la garantie implicite, il est donc possible que la limitation ci-dessus ne s'applique pas à vous.)

Aucun recouvrement, quel qu'il soit, ne sera d'un montant supérieur au prix du produit vendu. Toute modification des dispositifs de sécurité du produit annulera la présente Garantie. Vous assumez tout risque et toute responsabilité résultant de la perte, de l'endommagement ou du préjudice que vous et votre propriété et/ou d'autres et leur propriété pourront encourir du fait de l'utilisation normale, de la mauvaise utilisation ou de l'empêchement d'utiliser le produit.

La présente garantie limitée n'est accordée qu'à l'acheteur initial, au preneur initial ou à la personne à laquelle le produit a été offert.

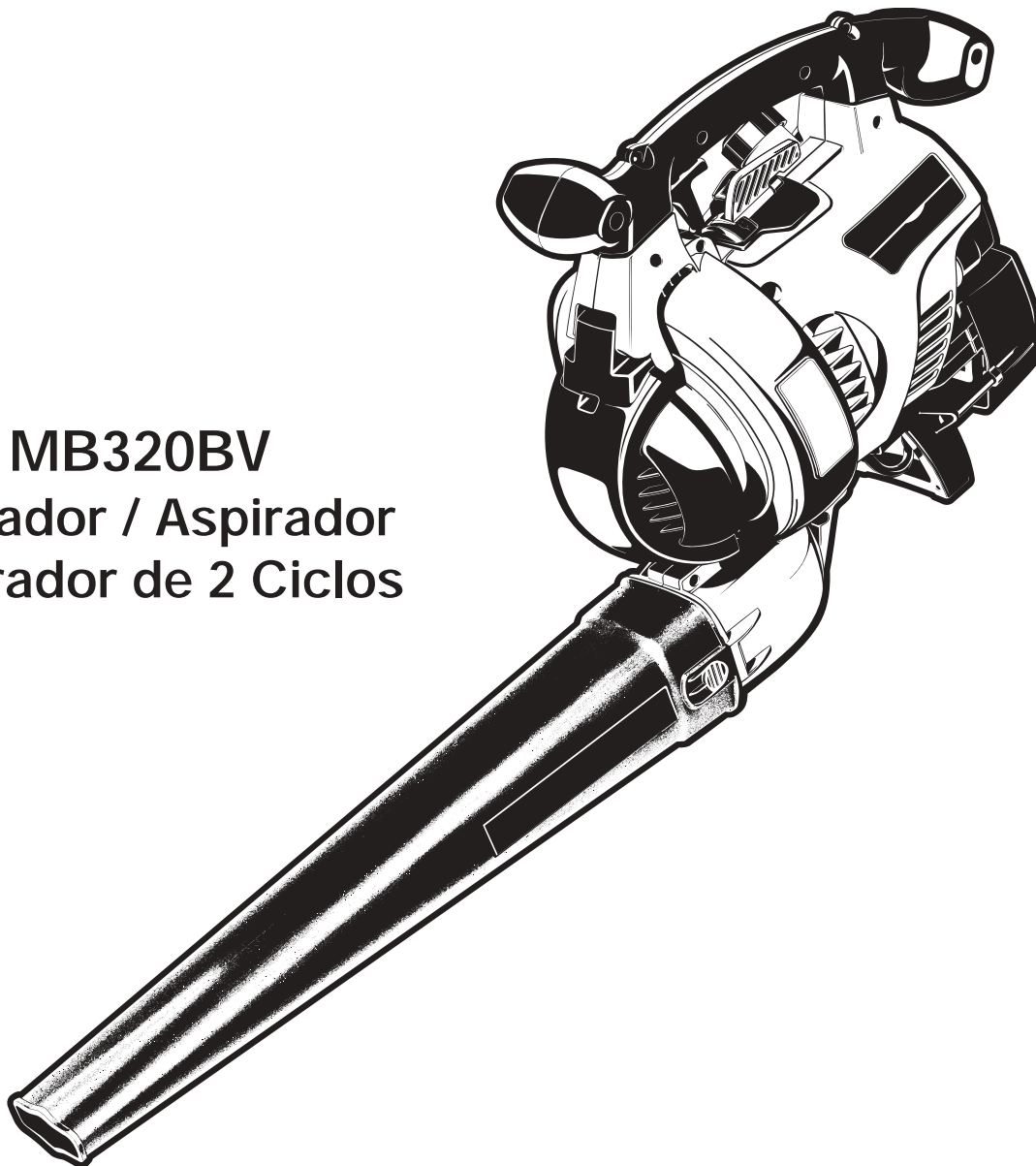
Le Droit des États vis à vis de la présente garantie : la présente garantie vous confère certains droits juridiques, et vous pouvez bénéficier d'autres droits, lesquels varient d'une juridiction à l'autre.

Pour obtenir l'adresse du distributeur agréé le plus proche, composer le : 1-800-345-8746 aux États-Unis ou le 1-800-668-1238 au Canada.

MTD LLC
P.O. Box 361131
Cleveland, OH 44136-0019

McCULLOCH®

Manuel del Dueño/Operador



MB320BV

**Soplador / Aspirador
Triturador de 2 Ciclos**

ESTE MANUAL ES IMPORTANTE

NO LO DESECHE

INTRODUCCION

MUCHAS GRACIAS

Gracias por haber adquirido este gran producto. Esta moderna herramienta motriz de exteriores está diseñada para brindarle muchas horas de servicio útil. Usted comprobará que es un artefacto que le ahorrará mucho trabajo. Este manual del operador le brinda instrucciones de operación de fácil comprensión. Lea todo el manual y siga todas las instrucciones para mantener su nueva herramienta motriz de exteriores en las mejores condiciones de funcionamiento.

REFERENCIAS, ILUSTRACIONES Y ESPECIFICACIONES DEL PRODUCTO

Toda la información, las ilustraciones y las especificaciones contenidas en este manual se basan en la información más reciente disponible en el momento de impresión del manual. Nos reservamos el derecho de hacer cambios en cualquier momento sin aviso previo.

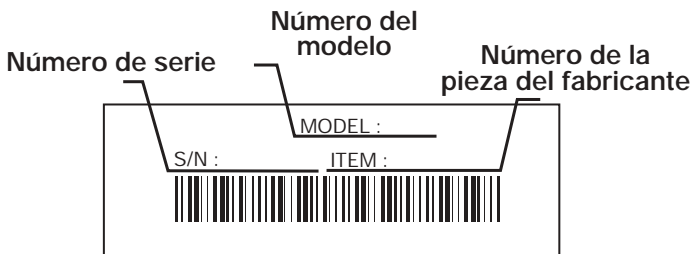
Copyright© 2005 MTD SOUTHWEST INC. Todos los derechos reservados.

INFORMACION DEL SERVICIO

El servicio de esta unidad, ya sea durante o después del período cubierto por la garantía, debe ser realizado solamente por un proveedor de servicios autorizado y aprobado. Llame **1-800-345-8746** en EE.UU. o al **1-800-668-1238** en Canada para obtener una lista de distribuidores de servicio localizados cerca de usted. Para obtener más detalles sobre su unidad, visite nuestro sitio en www.mccullochpower.com.

NO REGRESE SU UNIDAD AL VENDEDOR. PARA SOLICITAR SERVICIO POR LA GARANTIA, DEBERA PRESENTAR PRUEBA DE SU COMPRA.

Antes de que empiece a ensamblar su nuevo equipo, por favor ubique la placa que contiene el modelo de la unidad y escriba esa información en el espacio en blanco aquí debajo. Aquí debajo se explica la muestra de una placa del modelo.



Copie el número del modelo/
pieza del fabricante aquí: _____

Copie el número
de serie aquí: _____

Antes de arrancar u operar este equipo, asegúrese de leer y comprender bien este manual.

ESTE PRODUCTO ESTA CUBIERTO POR UNA O MAS PATENTES DE EE.UU., OTRAS PATENTES EN TRAMITE.

INDICE DE CONTENIDOS

Llamadas a apoyo al cliente	2
Normas para una operación segura	3
Conozca su unidad	7
Instrucciones de ensamble	8
Información del aceite y del combustible	11
Instrucciones de arranque y apagado	12
Instrucciones de operación	13
Instrucciones de mantenimiento y reparación	15
Accesorios y piezas de repuesto	19
Limpieza y almacenamiento	19
Cuadro de solución de problemas	20
Especificaciones	21
Garantía	26
Lista de Piezas	Contraportada


PARACHISPAS

NOTA: Para los usuarios en tierras forestales de los EE.UU. y en los estados de California, Maine, Oregon y Washington. Todos los terrenos forestales de los EE.UU. y el estado de California (Códigos de Recursos Públicos 4442 y 4443), Oregon y Washington, requieren por decreto, que ciertos motores de combustión interna que se hagan funcionar en zonas boscosas y/o zonas cubiertas por pastizales, estén equipados con un parachispas, que sean mantenidos en buen estado de funcionamiento o que el motor sea construido, esté equipado y sea mantenido para evitar incendios. Consulte los reglamentos pertinentes a esos requisitos con las autoridades estatales o locales. El incumplimiento de esos requisitos puede responsabilizarle o someterle a la imposición de una multa. **Esta unidad fue equipada en la fábrica con un parachispas.** Si requiere sustitución, hay una **Pantalla Parachispas disponible, Pieza #753-04689** al contactar el departamento de servicio.

PROPOSICIÓN 65 DE CALIFORNIA



ADVERTENCIA



LAS EMISIONES DEL MOTOR DE ESTE PRODUCTO CONTIENEN SUBSTANCIAS QUIMICAS QUE EL ESTADO DE CALIFORNIA CONOCE COMO CAUSANTES DECANCER, DEFECTOS DE NACIMIENTO U OTROS DAÑOS REPRODUCTIVOS.

NORMAS PARA UNA OPERACION SEGURA

Los símbolos de seguridad se utilizan para llamar su atención sobre posibles peligros. Los símbolos de seguridad y sus explicaciones merecen toda su atención y comprensión. Los símbolos de seguridad no eliminan ningún peligro por sí mismos. Las instrucciones o advertencias que ofrecen no substituyen las medidas adecuadas de prevención de accidentes.

SIMBOLO	SIGNIFICADO
---------	-------------



ALERTA DE SEGURIDAD:

Indica peligro, advertencia o precaución. Debe prestar atención para evitar sufrir graves lesiones personales. Puede ser utilizado junto con otros símbolos o figuras.

NOTA: Le ofrece información o instrucciones que son esenciales para la operación o mantenimiento del equipo.

Lea el manual del operador y siga todas las advertencias e instrucciones de seguridad. De no hacerlo, el operador y/o los espectadores pueden sufrir graves lesiones.

SI TIENE PREGUNTAS, LLAME AL 1-800-345-8746 EN EE.UU. O AL 1-800-668-1238 en CANADA

SIMBOLO	SIGNIFICADO
---------	-------------



PELIGRO: El no obedecer una advertencia de seguridad puede conducir a que usted u otras personas sufran graves lesiones. Siga siempre las precauciones de seguridad para reducir el riesgo de incendio, descarga eléctrica y lesiones personales.



ADVERTENCIA: El no seguir una advertencia de seguridad puede conducir a que usted u otras personas sufran lesiones. Siga siempre las precauciones de seguridad para reducir el riesgo de incendio, descarga eléctrica y lesiones personales.



PRECAUCION: El no seguir una advertencia de seguridad puede conducir a daño patrimonial o a que usted u otras personas sufran lesiones personales. Siga siempre las precauciones de seguridad para reducir el riesgo de incendio, descarga eléctrica y lesiones personales.

• IMPORTANTE INFORMACION DE SEGURIDAD •

LEA TODAS LAS INSTRUCCIONES ANTES DE LA OPERACIÓN

- Lea todas las instrucciones con cuidado. Conozca bien los controles y el uso correcto de la unidad.
- No opere esta unidad si está cansado, enfermo, o bajo los efectos del alcohol, drogas o medicamentos.
- Los niños y los adolescentes menores de 15 años no deben operar las unidades, excepto por los adolescentes guiados por un adulto.
- Se debe instalar adecuadamente todos los protectores y accesorios de seguridad antes de hacer funcionar la unidad.
- Inspeccione la unidad antes de utilizarla. Cambie las partes dañadas. Verifique si existen fugas de combustible. Asegúrese de que los sujetadores estén bien colocados y asegurados. Cambie las piezas que estén quebradas, astilladas o dañadas de alguna manera. No funcione la unidad cuando ésta tenga piezas sueltas o dañadas.
- Inspeccione cuidadosamente el área antes de poner en marcha la unidad. Retire todos los desechos y objetos duros o filosos tales como vidrio, alambre, etc.
- Aleje a todos los niños, espectadores y animales domésticos. Mantenga todos los niños, espectadores y animales domésticos a un radio de por lo menos 15 m (50 pies) ; aún así puede existir un riesgo de objetos despedidos contra los espectadores. Los espectadores deben usar protección para sus ojos. Si alguien se le acerca, pare la unidad inmediatamente.

ADVERTENCIAS DE SEGURIDAD PARA UNIDADES A GASOLINAS



ADVERTENCIA: La gasolina es muy inflamable y sus gases pueden explotar si se encienden. Tome las siguientes precauciones:

- Guarde el combustible en envases que hayan sido diseñados y aprobados para el almacenamiento de dichos materiales.
- Evite crear una fuente de encendido por combustible derramado. No arranque el motor hasta que se hayan disipado los vapores del combustible.
- Apague siempre el motor y espere que se enfríe. No retire nunca la tapa del tanque de combustible ni cargue combustible mientras el motor esté caliente. Nunca opere la unidad sin la tapa del combustible colocada firmemente en su lugar. Afloje la tapa del combustible lentamente para disipar la presión del tanque.
- Agregue el combustible en una zona limpia, bien ventilada y al aire libre, donde no haya chispas ni llamas. Quite lentamente la tapa del combustible sólo después de apagar el motor. No fume mientras carga o mezcla el combustible. Limpie de inmediato todo el combustible que se haya derramado. Seque siempre la unidad con un trapo antes de usarla.
- Aleje la unidad a por lo menos 9,1 m (30 pies) del lugar de carga de combustible antes de arrancar el motor. No fume. Mantenga las chispas y las llamas abiertas lejos del área mientras carga el combustible u opera la unidad.

NORMAS PARA UNA OPERACIÓN SEGURA

DURANTE LA OPERACIÓN

- No arranque ni opere la unidad en un cuarto o edificio cerrado. Los gases de escape de monóxido de carbono pueden ser letales en un área cerrada. Opere esta unidad sólo en un área exterior bien ventilada.
- Para reducir el riesgo de lesiones asociadas con los objetos lanzados, utilice gafas de protección que tengan una marca de clasificación normativa ANSI Z87.
- Nunca haga funcionar la unidad sin que ésta tenga conectado el equipo apropiado. Cuando use esta unidad, instale siempre los tubos de la sopladora / aspiradora y la bolsa de recolección, dependiendo del modelo. Asegurese de cerrar completamente la bolsa de recolección.
- Para reducir el riesgo de pérdida auditiva asociada con los niveles de sonido, use siempre protección para las orejas / oídos cuando haga funcionar esta unidad.
- Use pantalón largos y gruesos, botas y guantes. No use pantalones cortos, sandalias ni ande descalzo.
- Para evitar el choque de electricidad estática, no se ponga guantes de caucho o guantes aislados mientras haga funcionar esta unidad.
- Para reducir el riesgo de lesión asociada con objetos que sean atraídos hacia las piezas que giran, no use ropa suelta, joyas, bufandas ni cosas parecidas. Asegurese el cabello por encima del nivel de los hombros.
- Use una máscara para la cara o contra el polvo si el trabajo es polvoriento. Se recomiendan las camisas de manga larga.
- Use la unidad únicamente con la luz del día o con buena luz artificial.
- Mantenga las superficies exteriores libres de aceite y combustible.
- Evite arrancar la unidad accidentalmente. Colóquese en posición de inicio siempre que tire de la cuerda de arranque. El operador y la unidad deben estar en una posición estable al comenzar. Lea las *Instrucciones de Arranque y Apagado*.
- No ponga la unidad sobre ninguna superficie excepto sobre una superficie que esté limpia y que sea sólida, cuando el motor esté prendido. Los desechos tales como la grava, arena, polvo, césped, etc., pueden ser absorbidos por la toma de aire y ser lanzados por la abertura de descarga, causándole daños a la unidad, propiedad o causándole lesiones graves a los espectadores o al operario.
- Use la herramienta adecuada. Solamente use esta herramienta para la tarea que ha sido diseñada.
- No fuerce la unidad. Hará mejor el trabajo y con menos probabilidad de lesión bajo la tasa de funcionamiento que fue diseñada.
- No alcance más de la cuenta ni la use desde superficies inestables tales como escaleras, árboles, lomas muy inclinadas, techos, etc. Observe siempre una posición firme y balanceada.
- Sostenga siempre la unidad con ambas manos mientras esté en funcionamiento.
- Mantenga las manos, la cara y los pies lejos de todas las partes móviles. No toque ni intente detener el rotor cuando esté girando. No la haga funcionar sin los protectores puestos en su lugar.
- No ponga ningún objeto en las aberturas. No la use cuando cualquier abertura esté bloqueada, manténgalas libres de mugre, desechos o cualquier cosa que pueda reducir el flujo de aire.
- No toque el motor, o el silenciador. Estas partes se calientan mucho con la operación. Luego de apagar la unidad, permanecen calientes durante un tiempo breve.
- No opere el motor a una velocidad mayor que la necesaria para hacer el trabajo. No haga funcionar el motor a alta velocidad mientras no lo está usando.
- Apague siempre el motor cuando demore la operación o mientras camina de un lugar hacia otro.
- Pare el motor para hacerle mantenimiento, reparaciones, para instalar o quitarle los tubos de soplado o aditamentos de succión. La unidad debe parar y el rotor no debe estar girando, para evitar contacto con las cuchillas que giran.
- Use sólo piezas y accesorios de repuesto del fabricante del equipo original para esta unidad. Puede obtenerlos en su proveedor de servicio autorizado. El uso de piezas y accesorios que no son equipo original; puede causar graves lesiones al operador o el daño de su unidad, y la cancelación de su garantía.
- Nunca use esta unidad para regar productos químicos, fertilizantes u otras sustancias que puedan contener sustancias tóxicas.
- Para reducir el riesgo de incendio, cambie los silenciadores y parachispas defectuosos, mantenga el motor y el silenciador libre de pasto, hojas, grasa excesiva o acumulaciones de carbono.

NORMAS PARA UNA OPERACIÓN SEGURA

MIENTRAS OPERA COMO SOPLADORA

- Nunca apunte la sopladora hacia a la gente, mascotas o ventanas. Dirija siempre el soplado de desechos lejos de la gente, animales y ventanas. Tenga mucho cuidado cuando sople desechos cerca de objetos sólidos como árboles, automóviles, paredes, etc.

MIENTRAS OPERA COMO ASPIRADORA

- Evite situaciones que puedan prenderle fuego a la bolsa de recolección. No la haga funcionar cerca de una llama abierta. No aspire cenizas tibias de chimeneas, hoyos para asado, montones de maleza, etc. No aspire cigarrillos descartados a menos que las cenizas estén completamente frías.
- La unidad está diseñada para recoger material seco tal como hojas, césped, ramitas y pedazos de papel. No intente aspirar desechos mojados o agua estancada ya que eso puede ocasionarle daños a la sopladora / aspiradora. Para evitarle daños graves al rotor, no aspire metales, vidrios rotos, etc.

OTRAS ADVERTENCIAS DE SEGURIDAD

- Desconecte la bujía en todo momento antes de hacerle mantenimiento o alcanzar las piezas móviles.
- Nunca guarde la unidad con combustible en el tanque dentro de un edificio en donde los gases puedan alcanzar una llama expuesta (pilotos, etc.) o chispas (interruptores, motores eléctricos, etc.)
- Permita que el motor se enfríe antes de guardarla o transportarla. Asegúrese de sujetar la unidad mientras la transporta.

- Guarde la unidad en un lugar seco, bien sea bajo llave o suficientemente alto para que evite el uso no autorizado o daños. Manténgala fuera del alcance de los niños.
- Nunca remoje o chorree la unidad con agua o cualquier otro líquido. Mantenga los mangos secos, limpios y libres de escombros. Límpiela después de cada uso, vea las *Instrucciones de Limpieza y Almacenamiento*.
- Conserve estas instrucciones. Consúltelas con frecuencia y úselas para instruir a otros usuarios. Si le presta esta unidad a otras personas, también incluya las instrucciones.

NOTA ESPECIAL: La exposición a las vibraciones mediante el uso prolongado de herramientas manuales a gasolina puede causar daños en los vasos sanguíneos o nervios de los dedos, manos y articulaciones en las personas que presentan una predisposición a trastornos circulatorios o inflamaciones anormales. Por otra parte, el uso prolongado en el clima frío ha sido relacionado con el daño de vasos sanguíneos en personas sanas. En caso de ocurrir síntomas como adormecimiento, dolor, pérdida de fuerza, cambio en el color o textura de la piel o pérdida de sensación en los dedos, manos o articulaciones, abandone el uso de esta herramienta y obtenga atención médica. Un sistema antivibratorio no garantiza la prevención de estos problemas. Los usuarios que operan herramientas motrices en forma regular y continua deben controlar con cuidado su condición física y la condición de esta herramienta.

CONSERVE ESTAS INSTRUCCIONES

NORMAS PARA UNA OPERACIÓN SEGURA

SIMBOLOS DE SEGURIDAD E INTERNACIONALES

Este manual del operador describe los símbolos y figuras de seguridad e internacionales que pueden aparecer en este producto. Lea el manual del operador para obtener información completa acerca de la seguridad, ensamble, operación y mantenimiento y reparación.

SIMBOLO

SIGNIFICADO



• SIMBOLO DE ALERTA DE SEGURIDAD

Indica peligro, advertencia o precaución. Puede ser utilizado junto con otros símbolos o figuras.



• ADVERTENCIA - LEA EL MANUAL DEL OPERADOR

Lea el manual del operador y siga todas las advertencias e instrucciones de seguridad. De no hacerlo, el operador y/o los espectadores pueden sufrir graves lesiones.



• USE PROTECCION OCULAR Y AUDITIVA

ADVERTENCIA : Los objetos arrojados por la unidad y el ruido fuerte pueden causar graves lesiones oculares y pérdida auditiva. Utilice protección ocular que cumpla con las normas ANSI Z87.1 y protección auditiva cuando opere esta unidad. Use una careta completa cuando la necesite.



• MANTENGA ALEJADOS A LOS ESPECTADORES

ADVERTENCIA : Mantenga a todos los espectadores, en especial a niños y animales domésticos a por lo menos 50 pies (15 m) del área de corte.



• COMBUSTIBLE SIN PLOMO

Use siempre combustible limpio, nuevo y sin plomo.



• INDICADOR DE ACEITE

Consulte el manual del operador para obtener información acerca del tipo correcto de aceite.



• LOS OBJETOS DESPEDIDOS Y LA CUCHILLA ROTATIVA PUEDEN CAUSAR GRAVES LESIONES

ADVERTENCIA: Manténgase alejado de la salida del soplador. Nunca dirija el soplador hacia usted mismo ni hacia los demás. Los objetos pueden salir despedidos del soplador. No opere esta unidad sin los accesorios y protecciones adecuados en su lugar.

SIMBOLO

SIGNIFICADO



• CONTROL DE ENCENDIDO Y APAGADO

ENCENDIDO /ARRANQUE /MARCHA



• CONTROL DE ENCENDIDO Y APAGADO

APAGADO o PARADO



• ADVERTENCIA DE SUPERFICIE CALIENTE

No toque un silenciador ni un cilindro caliente. Puede quemarse. Estas partes se calientan mucho con el uso. Luego de apagarse permanecen calientes durante un corto tiempo.



• CONTROL DEL OBTURADOR

- 1• Posición de obturación **COMPLETA**
- 2• Posición de obturación **PARCIAL**
- 3• Posición de **MARCHA**



• LAS SOPLADORAS-CUCHILLAS GIRATORIAS DEL ROTOR PUEDEN CAUSAR LESIONES GRAVES

ADVERTENCIA: Pare el motor y permita que el rotor se detenga antes de instalar o cambiar tubos o la bolsa, o antes de limpiar o hacerle cualquier mantenimiento.



• CONTROL DEL REGULADOR

Indica la velocidad "ALTA" o "MAS RAPIDA"



• CONTROL DEL REGULADOR

Indica la velocidad "MINIMA" "BAJA" o "MAS BAJA"

NORMAS PARA UNA OPERACIÓN SEGURA

CONOZCA SU UNIDAD

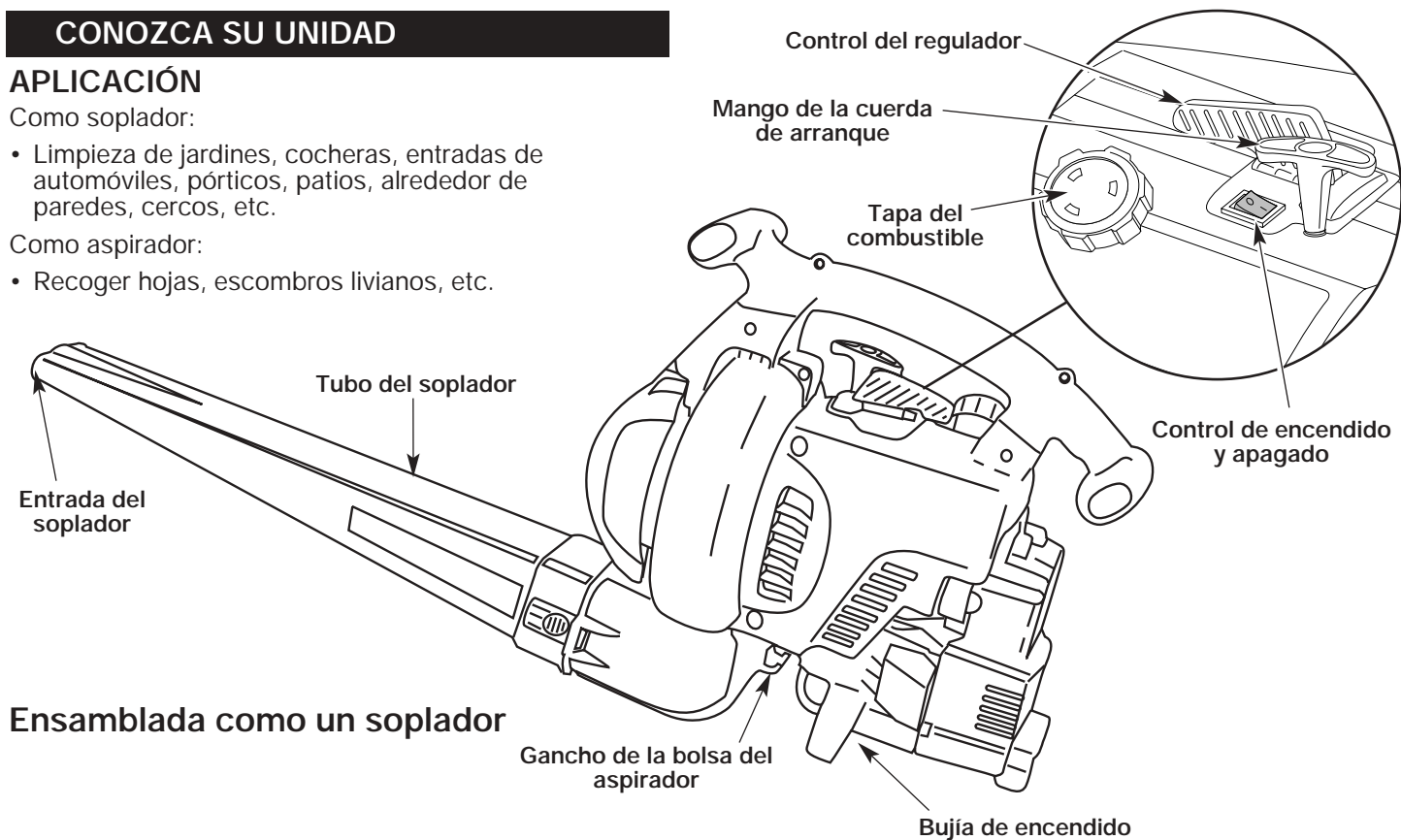
APLICACIÓN

Como soplador:

- Limpieza de jardines, cocheras, entradas de automóviles, pórticos, patios, alrededor de paredes, cercos, etc.

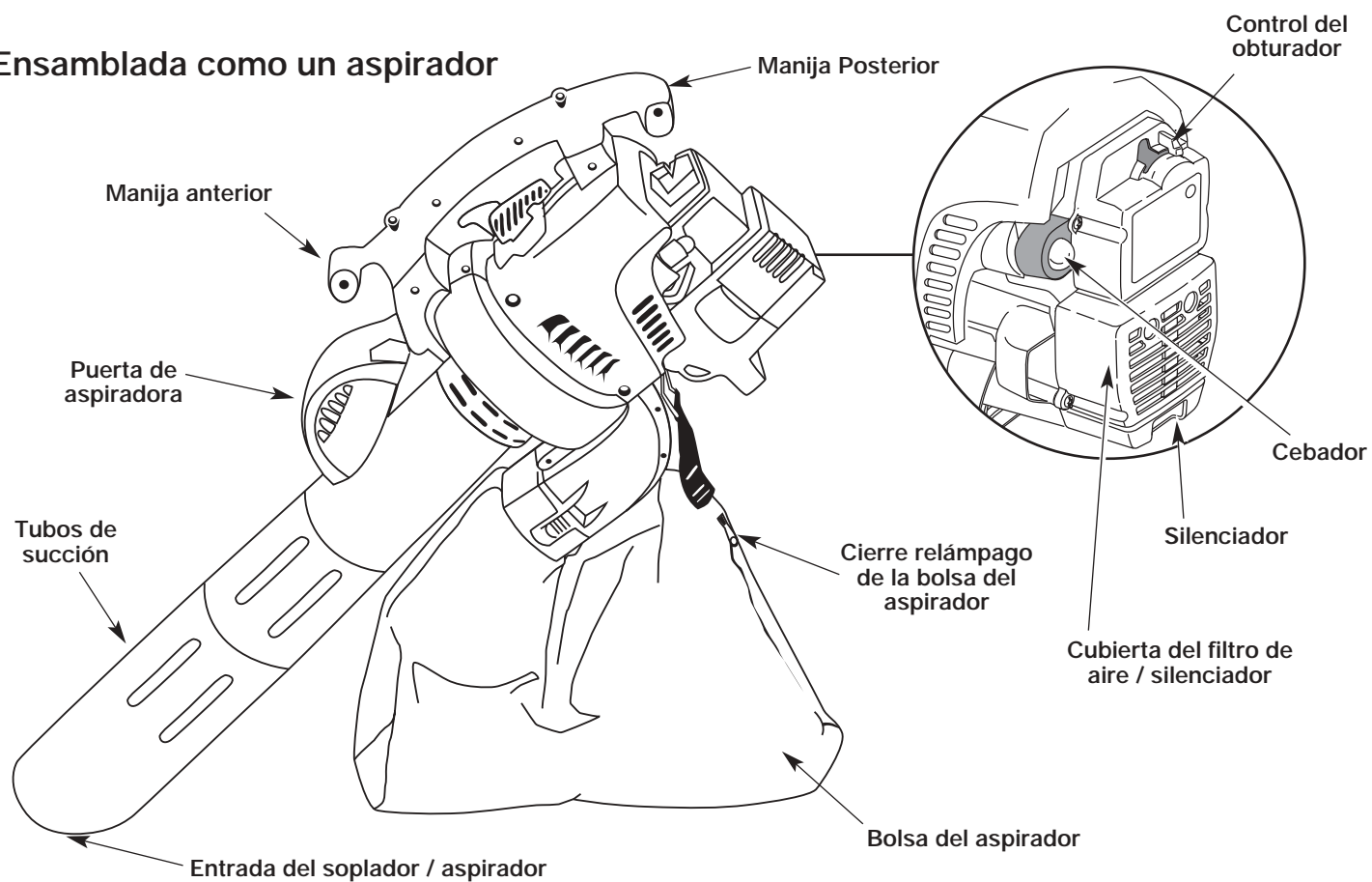
Como aspirador:

- Recoger hojas, escombros livianos, etc.



Ensamblada como un soplador

Ensamblada como un aspirador



INSTRUCCIONES DE ENSAMBLAJE

ENSAMBLE DE LA UNIDAD COMO SOPLADOR

Ensamble del tubo del soplador



NOTA: Si la unidad estaba ensamblada como una unidad de aspiración, retire todas las partes del aspirador y guárdelas en un lugar seguro para su uso futuro.

Instalación

- Instale el tubo del soplador sobre la salida del soplador y empuje hasta que ambas orejetas se enganchen en su lugar (Fig. 1).

Remoción

- Retire el tubo del soplador presionando ambas orejetas al mismo tiempo y tirando del tubo del soplador hacia afuera (Fig. 1).

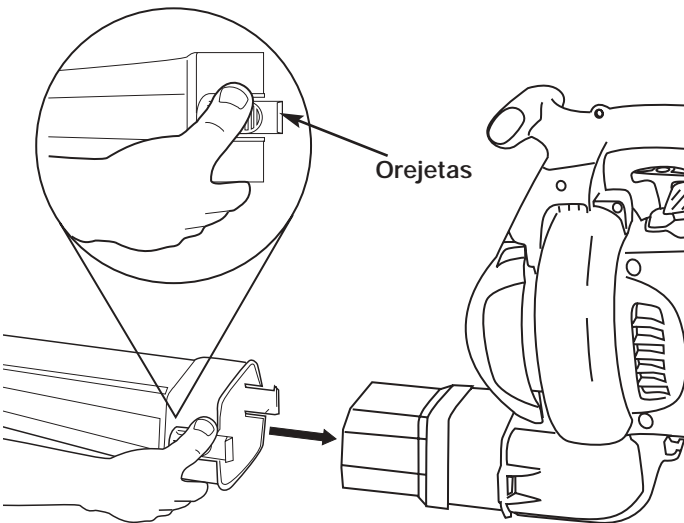
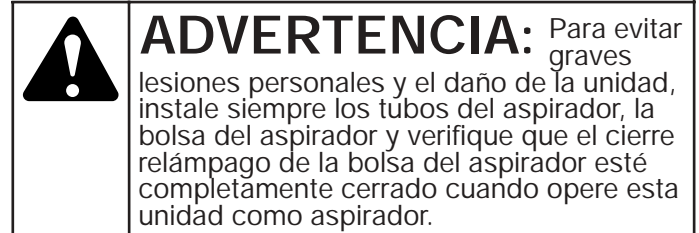


Fig. 1

ENSAMBLE DE LA UNIDAD COMO ASPIRADOR

Para armar la unidad como una aspiradora, comience quitándole el tubo del soplador. Consulte la sección anterior.

Ensamble del tubo del aspirador



NOTA: Si la unidad estaba ensamblada como soplador, retire todas las partes del soplador y guárdelas en un lugar seguro para su uso futuro.

Instalación

1. Alinee la flecha del tubo de succión inferior con la flecha del tubo de succión superior (Fig. 2).
2. Empuje el tubo de succión inferior dentro del tubo superior, sujetándolo firmemente con ambas manos. Gire el tubo de succión inferior hacia su derecha hasta que encaje en el punto de detención y se asegure. (El punto del tubo inferior se alinea con el punto del tubo superior cuando estén ensamblados correctamente).

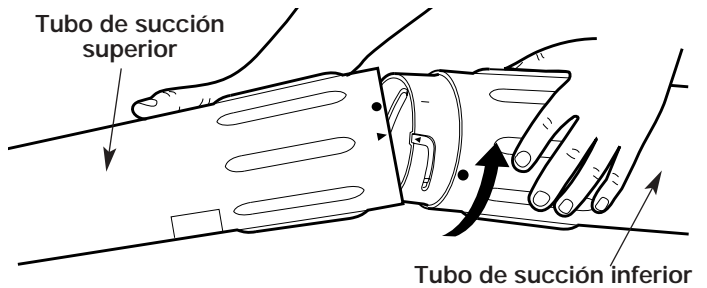


Fig. 2

3. Voltee la unidad de modo que quede erecta en la tapa del silenciador. La parte delantera de la unidad y la puerta de la aspiradora deben darle el frente a usted (Fig. 3).

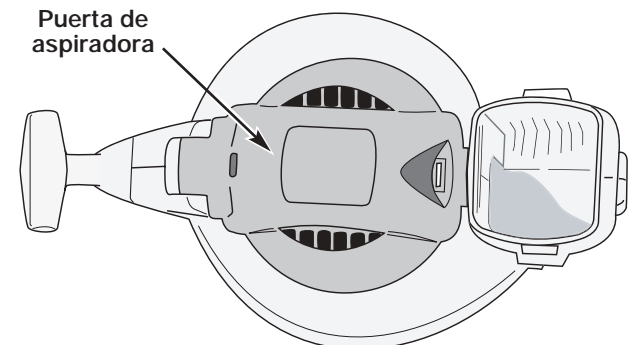


Fig. 3

INSTRUCCIONES DE ENSAMBLAJE

4. Inserte un destornillador de cabeza plana en la ranura en el extremo inferior de la puerta de la aspiradora. Establezca contacto con la abrazadera de cierre de la puerta de aspiradora y empuje hacia adentro y arriba (Fig. 4). Después tire de la puerta de la aspiradora y manténgala abierta.

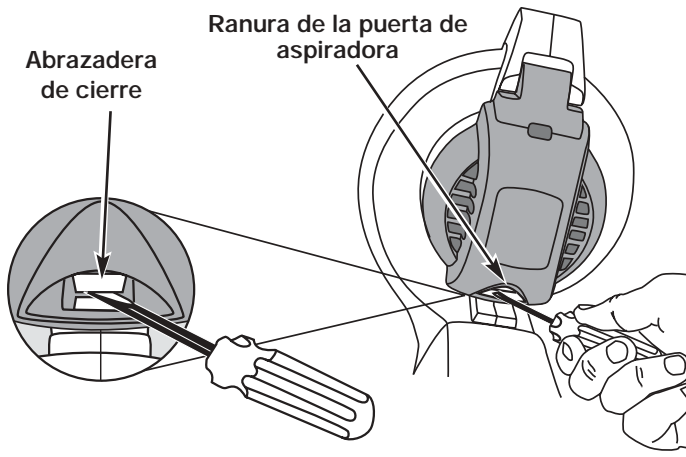


Fig. 4

5. Mientras mantiene abierta la puerta de la aspiradora, localice el tubo de la aspiradora armado (armado en el Paso 2). Ponga el tubo de modo que el área plana esté de frente a la puerta de la aspiradora. Las ranuras en el costado del tubo se alinearán con las pequeñas lengüetas en la admisión del impulsor (Fig. 5). Desde el exterior, alinee la pequeña flecha en el tubo de aspiradora con el punto que está en la admisión del impulsor.
6. Empuje el tubo de aspiradora con firmeza y agárrelo con ambas manos. Gire el tubo en sentido horario tanto como sea posible hasta que encaje en el retén y trabé. Cuando está debidamente armado, el punto del tubo de aspiradora se alineará con el punto de la admisión del impulsor.

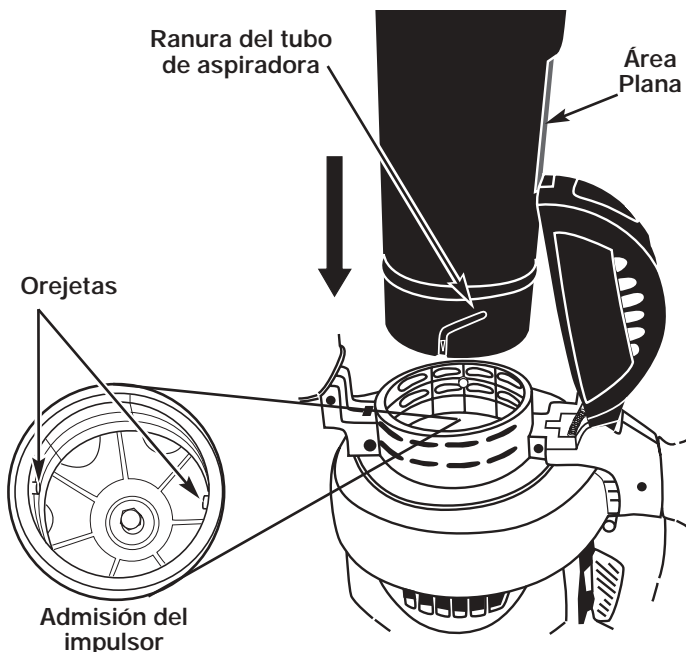


Fig. 5

Instalación la bolsa del aspirador

7. Instale el tubo de la bolsa del aspirador sobre la salida del soplador y empuje hasta que las orejetas de la base se enganchan en su lugar (Fig. 6).
8. Enganche la bolsa de la aspiradora al gancho de la aspiradora situado en la parte inferior de la unidad.

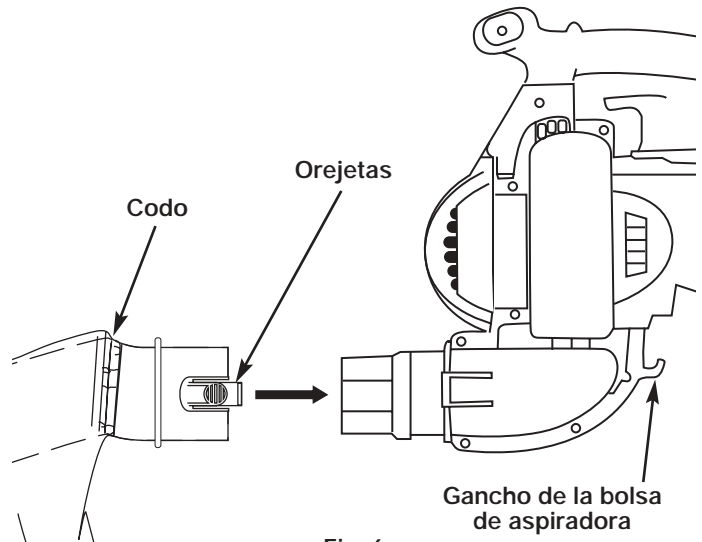


Fig. 6

Remoción

1. Desenganche la bolsa.
2. Saque la bolsa del aspirador presionando ambas orejetas en el codo de la bolsa del aspirador al mismo tiempo y tirando hacia afuera del soplador (Fig. 6).
3. Instale el tubo del soplador para armar la unidad como un soplador.
4. Cerciñese de que la puerta de aspiradora esté cerrada con seguridad.



ADVERTENCIA: Nunca opere la unidad en la configuración de soplador sin que la puerta de la aspiradora esté fija y cerrada con pestillo.

INSTRUCCIONES DE ENSAMBLAJE

INSTALACION DEL ARNES



ADVERTENCIA: Para evitar graves lesiones personales, use siempre el arnés del hombro cuando utilice la cuchilla de corte.

1. Pase la correa por el centro de la hebilla.
2. Pase la correa sobre la barra transversal y hacia abajo por la ranura de la hebilla (Fig. 7).

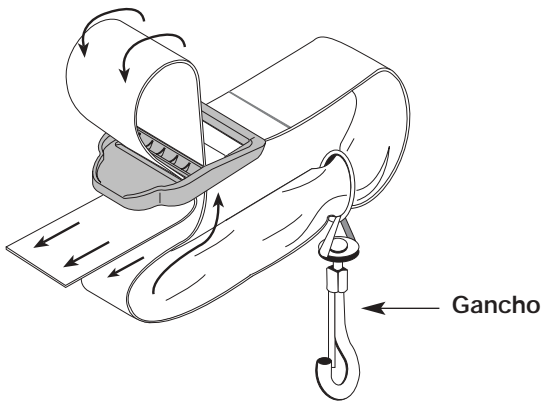


Fig. 7

3. Encaje la abrazadera en los herrajes de soporte en la parte anterior o posterior de la manija. Abróchela a la parte anterior de la manija al usar la unidad como un soplador, y abróchela a la parte posterior de la manija al usar la unidad como una aspiradora (Fig. 8).

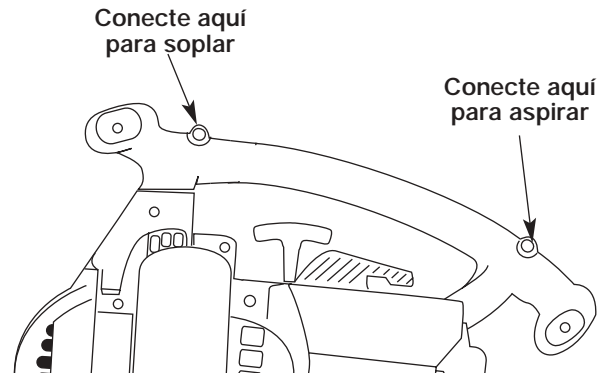


Fig. 8

4. Ajuste la longitud a la medida del operador. Tire de la lengüeta para alargarla, tire de la correa para acortarla (Fig. 9).

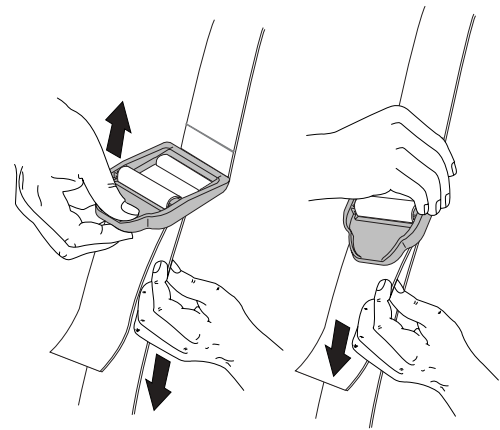


Fig. 9

INFORMACION DEL ACEITE Y DEL COMBUSTIBLE

INSTRUCCIONES PARA MEZCLAR EL ACEITE Y EL COMBUSTIBLE

El combustible viejo o mal mezclado son los motivos principales del mal funcionamiento de la unidad. Asegúrese de usar combustible nuevo, limpio y sin plomo. Siga las instrucciones en detalle para mezclar correctamente el aceite y el combustible.

Definición de los combustibles de mezcla

Los combustibles actuales con frecuencia son una mezcla de gasolina y oxigenantes como por ejemplo etanol, metanol o MTBE (éter). El combustible mezclado con alcohol absorbe agua. Una cantidad tan pequeña como el 1% de agua en el combustible puede causar la separación del combustible y el aceite. Forma ácidos cuando está almacenado. Cuando use combustible mezclado con alcohol, use combustible nuevo (de menos de 60 días).

Uso de combustibles de mezcla


Si usted opta por usar un combustible de mezcla o si su uso es inevitable, tome las precauciones recomendadas.

- Use siempre una mezcla fresca de combustible según lo indica su manual del operador.
- Agite siempre la mezcla de combustible antes de cargarlo en la unidad.
- Drene el tanque y haga funcionar el motor en seco antes de guardar la unidad.

Uso de aditivos en el combustible



La botella de aceite de 2 ciclos que vino con su unidad contiene un aditivo en el combustible que ayudará a inhibir la corrosión y a reducir la formación de depósitos de goma. Se recomienda que use sólo el aceite de 2 ciclos con esta unidad.

Si es inevitable, use un buen aceite de 2 ciclos elaborado para motores enfriados por aire junto con un aditivo para el combustible como por ejemplo el estabilizador de gasolina STA-BIL® o similar. Agregue 23 mL (0,8 onzas) de aditivo de combustible por galón de combustible de acuerdo con las instrucciones del envase. NUNCA agregue aditivos directamente en el tanque de combustible de la unidad.

	PRECAUCION: Para que el motor funcione correctamente y con la mayor fiabilidad, preste mucha atención a las instrucciones de mezcla de aceite y combustible del envase de aceite de 2 ciclos. El uso de combustible mezclado en forma incorrecta puede dañar seriamente el motor.
---	--

Mezcle bien la proporción correcta de aceite para motor de 2 ciclos y gasolina sin plomo en una lata de combustible por separado. Use una proporción de 40:1 de combustible y aceite. No los mezcle directamente en el tanque de combustible de la unidad. Consulte las proporciones específicas de mezcla de gasolina y aceite en la tabla siguiente.

NOTA: 3,8 litros (un galón) de gasolina sin plomo mezclada con una botella de 95 mL (3,2 onzas) de aceite de 2 ciclos es una proporción de 40:1 de combustible y aceite.

	+	
GASOLINA SIN PLOMO		ACEITE DE 2 CICLOS
3,8 LITROS (1 GALON de EE.UU.)		95 mL (3,2 ONZAS FLUIDAS)
1 LITRO		25 mL

PROPORCION DE LA MEZCLA = 40 : 1

	ADVERTENCIA: La gasolina es muy inflamable. Los gases pueden explotar si se encienden. Apague siempre el motor y espere que se enfríe antes de cargar el tanque de combustible. No fume mientras llena el tanque. Mantenga las chispas y las llamas lejos del área.
---	--

	ADVERTENCIA: Saque la tapa del combustible lentamente para evitar lesionarse con el rociado del combustible. No opere nunca la unidad sin la tapa del combustible firmemente colocada en su lugar.
---	---

	ADVERTENCIA: Cargue el combustible en un área exterior limpia y bien ventilada. Limpie de inmediato todo combustible que se haya derramado. Evite crear una fuente de encendido con el combustible derramado. No arranque el motor hasta que se hayan evaporado los gases del combustible.
---	---

NOTA: Elimine la mezcla vieja de aceite y combustible de acuerdo con los reglamentos federales, estatales y locales.

INSTRUCCIONES DE ARRANQUE Y APAGADO



ADVERTENCIA: Use esta unidad sólo en un área exterior bien ventilada. Los gases de escape de monóxido de carbono pueden ser letales en un área cerrada.



ADVERTENCIA: Evite los arranques accidentales. Esté en posición de arranque cuando hale la cuerda (Fig. 12 y 13).

Tampoco ponga la unidad sobre ninguna superficie excepto sobre una superficie limpia y sólida, mientras se pone en marcha. Los desechos tales pueden ser absorbidos por la toma de aire y ser lanzados por la abertura de descarga, causándole daños a la unidad, propiedad o causándole lesiones graves a los espectadores o al operador.

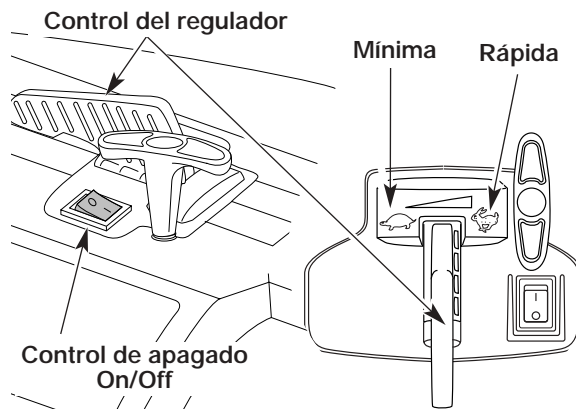


Fig. 10

INSTRUCCIONES DE ARRANQUE

1. Mezcle la gasolina con el aceite. Llene el tanque de combustible con la mezcla de combustible / aceite. Vea las *Instrucciones para Mezcla de Aceite y Combustible*.



ADVERTENCIA: Siempre quite la bolsa de recolección antes de reabastecer la unidad con combustible. La bolsa se puede convertir en un peligro de incendio cuando se satura de combustible.

NOTA: No hay necesidad de encender la unidad. El Control de Parada Encendido/Apagado (On/Off) está en la posición Encendido (ON) (I), en todo momento.

2. Oprima completamente el cebador y suéltelo 10 veces. Hágalo lentamente. Se deberá ver un poco de **combustible en el cebador** y en las tuberías de alimentación de combustible. Si no puede ver el combustible en el cebador, oprímalo y suéltelo tantas veces como sea necesario hasta que vea combustible en el mismo.
3. Coloque la palanca azul en Posición 1 (Fig. 11).
4. Ponga la unidad en la posición de arranque (Fig. 12 o Fig. 13). Coloque el control del regulador en la posición de **RÁPIDA** (↻) (Fig.10).
5. Tire del cordón de arranque hasta 5 veces.
6. Coloque la palanca azul en Posición 2.
7. Tire de la cuerda de arranque rápidamente de 1 a 3 veces para arrancar el motor.
8. Mantenga oprimido el regulador y deje que el motor se caliente durante 15 a 30 segundos.
9. Coloque la palanca azul en Posición 3. La unidad está lista para usarse.

SI... El motor no arranca, regrese al paso 2.

SI... El motor no arranca después de varios intentos, coloque la palanca azul en la Posición 3 y coloque el control del regulador en la posición de **RÁPIDA** (↻). Hale la cuerda del arranque con fuerza de 3 a 8 veces. El motor deberá arrancar. Si no sucede así, repita el procedimiento.

SI SE CALIENTA... El motor ya está caliente, cerciórese de que el control de Encendido/Apagado (On/Off) esté en la posición de Encendido (ON) y arranque la unidad con la palanca azul en la Posición 2. Después de que la unidad arranque, mueva la palanca azul a la Posición 3.

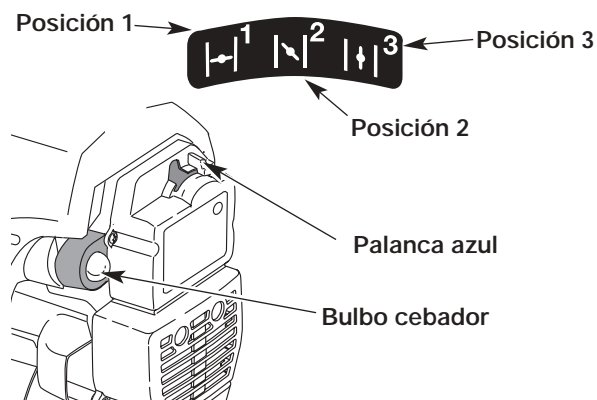


Fig. 11

Posición de Arranque del Soplador

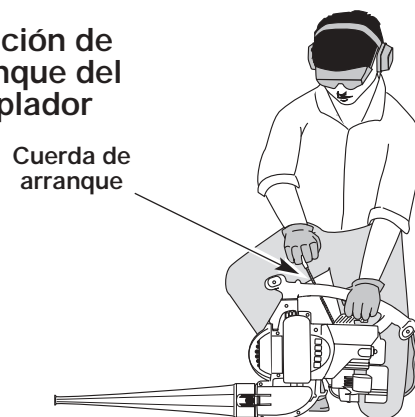


Fig. 12

Posición de Arranque de la Aspiradora

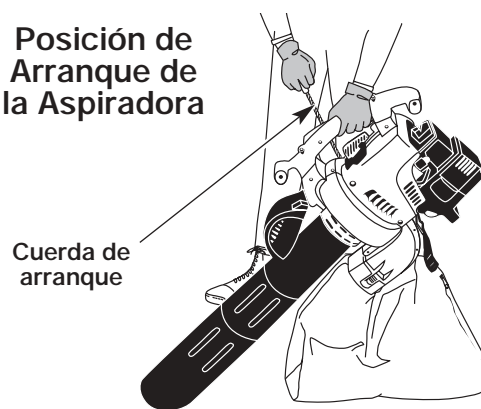


Fig. 13

INSTRUCCIONES DE APAGADO

1. Coloque el control del regulador en posición de mínima (↶). Deje enfriar el motor en mínima.
2. Coloque el control de encendido y apagado en posición de APAGADO (O).

INSTRUCCIONES DE OPERACIÓN

SOSTENIMIENTO DE LA SOPLADORA/ASPIRADORA

Antes de operar esta unidad, párese en la posición de operación. Verifique lo siguiente:

- El operador está vestido con la ropa apropiada tal como botas, gafas de protección, protección auditiva, guantes, pantalones largos y camisa de manga larga.



ADVERTENCIA: Para evitar lesiones personales graves, póngase gafas de seguridad en todo momento cuando maneje esta unidad. Póngase una máscara o máscara para polvo en sitios que sean polvorientos.

- Si las condiciones son polvorientas, el operador lleva puesta una máscara.
- La unidad se encuentra en buen estado de funcionamiento.
- Los tubos y protectores están puestos y asegurados en su lugar.



ADVERTENCIA: Dependiendo del modelo, asegúrese que los tubos de soplado o de succión y la bolsa de recolección estén en su lugar antes de operar la unidad, para evitar causarse lesiones personales graves o causárselas a otras personas, u ocasionarle daños a la unidad.

CONSEJOS ÚTILES SOBRE LA OPERACIÓN

- Asegúrese que la unidad no apunte hacia desechos sueltos o personas antes de ponerla en marcha.
- Compruebe que la unidad se encuentre en buen estado de funcionamiento. Verifique que los tubos y protectores estén puestos y asegurados en su lugar.
- Se recomienda sostener la unidad con ambas manos cuando maneje la sopladora a la altura de la cintura o en ángulos incómodos.
- Se requiere el uso de protección auditiva para reducir el riesgo de pérdida auditiva asociada con los niveles de sonido.
- Opere el equipo solamente durante horas razonables — no muy temprano en las mañanas ni muy tarde en las noches, cuando la gente se pueda molestar. Acate las horas detalladas en las ordenanzas locales. La recomendación usual es de 9:00 am a 5:00 pm, de lunes a sábado.
- Limite el número de equipos que se usen simultáneamente, para reducir los niveles de ruido.
- Opere las sopladoras motorizadas a la menor velocidad posible, para hacer el trabajo y reducir los niveles de ruido.
- Verifique el estado del equipo antes del funcionamiento, especialmente el tubo de escape, tomas de aire y filtros de aire.
- Use rastrillos y escobas para esparcir los desechos antes de soplarlos.
- Remoje ligeramente las superficies o use un aditamento para rociar cuando haya agua disponible y se encuentre bajo condiciones polvorientas.

- Conserve agua mediante el uso de sopladoras motorizadas en vez de usar mangueras para muchas de las aplicaciones de prados y ajardinado, incluyendo áreas tales como canales, mallas, patios, parrillas, pórticos y jardines.
- Tenga cuidado con los niños, animales domésticos, ventanas abiertas y automóviles recién lavados, y soplo los desechos en forma segura.
- Use la extensión completa de la boquilla sopladora de manera que el chorro de aire salga cerca al suelo.
- Limpie después de usar las sopladoras y otros equipos. Deposite los desechos en recipientes para la basura.

PROCEDIMIENTO DE OPERACIÓN PARA LA SOPLADORA

- 1 Use la sopladora para árboles, arbustos, macizos de flores y zonas de limpieza difícil (Fig. 14).
- 2 Use la unidad alrededor de edificios y para otras limpiezas normales (Fig. 14).
- 3 Use la sopladora para paredes, salientes, cercas y mallas (Fig. 15).

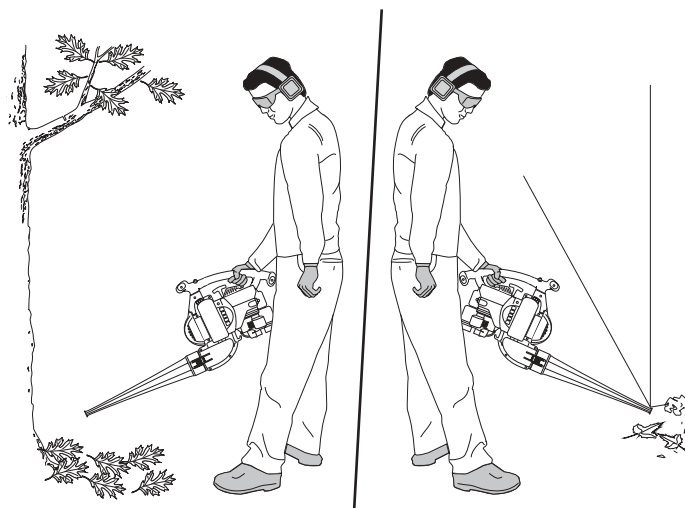


Fig. 14

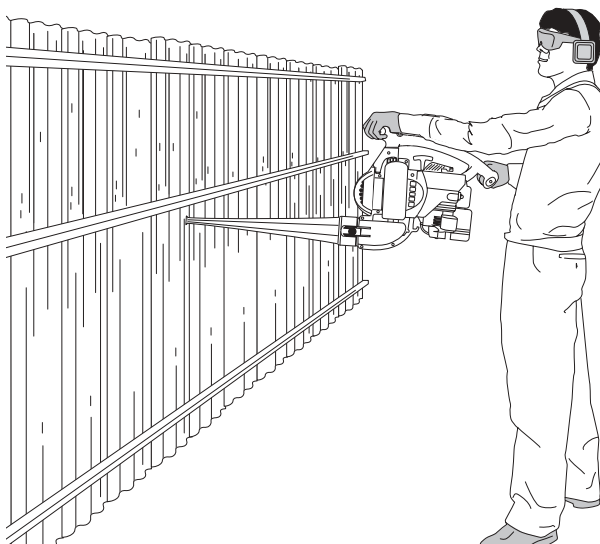


Fig. 15

INSTRUCCIONES DE OPERACIÓN

OPERACION COMO ASPIRADOR



WARNING: To prevent serious personal injury or damage to the unit, always install vacuum tubes, vacuum bag and make sure the vacuum bag is completely zipped closed when operating this unit as a vacuum.

Antes de operar la unidad, verifique lo siguiente:

- El operador viste ropa adecuada, como botas, lentes o gafas de protección, protección para los oídos y audición, guantes, pantalones largos y camisa de manga larga.
- Si el trabajo levanta polvo, se utiliza una máscara para polvo o una máscara facial.
- La unidad está en buenas condiciones de funcionamiento. Los tubos de aspiración y la bolsa del aspirador están colocados en su lugar y asegurados.
- El arnés de la bolsa del aspirador está colocado en su lugar y bien ajustado.

Use la unidad para aspirar escombros chicos, hojas, papel, etc.

Sostenga el aspirador, inclinando ligeramente el tubo de aspiración, y use un movimiento de barrido para recoger el escombros chico (Fig. 16). El escombros fluirá dentro de la bolsa del aspirador. Los objetos como las hojas pequeñas y las ramas pequeñas serán trituradas a medida que pasan a través del bastidor del ventilador, permitiendo que la bolsa del aspirador cargue más escombros.

Cuando la bolsa está llena, la aspiración disminuirá en forma notable. Apague la unidad y espere que el propulsor se detenga antes de abrir el cierre relámpago de la bolsa. Abra el cierre relámpago de la bolsa y vacíe su contenido antes de continuar. Lea *Vaciado de la Bolsa del Aspirador*.



ADVERTENCIA: Para evitar graves lesiones personales, nunca abra el cierre relámpago de la bolsa sin detener primero la unidad.



ADVERTENCIA: Como aspirador, la unidad está diseñada para recoger material seco como hojas, césped, ramas pequeñas y trocitos de papel. Para evitar graves lesiones personales, no intente aspirar residuos húmedos ni agua estancada, ya que esto puede causar el daño del Soplador / Aspirador. Para evitar graves daños en el propulsor, no aspire metal, vidrios rotos, etc.



ADVERTENCIA: Evite situaciones que puedan causar que la bolsa del aspirador se prenda fuego. No opere la unidad cerca de una llama. No aspire cenizas calientes de hogares, fosos de parrillas, pilas de maleza, etc. No aspire cigarrillos ni cigarrillos desechados a menos que las cenizas estén completamente frías.



ADVERTENCIA: Cuando retire los tubos superior e inferior del aspirador, verifique que la puerta del aspirador esté cerrada a presión antes de usar la unidad, para evitar dañar el propulsor.

Vaciado de la bolsa del aspirador

1. Proteja sus ojos y use una máscara contra el polvo, abra el cierre relámpago de la bolsa del aspirador y vaciar el contenido en una bolsa o recipiente de basura.



ADVERTENCIA: Para evitar graves lesiones personales, apague la unidad y espere que el propulsor se detenga antes de abrir la puerta del aspirador o de instalar o retirar la bolsa del aspirador.

2. Dé vuelta la bolsa hacia fuera luego del vaciado inicial y agite con fuerza para eliminar el polvo y el escombros.
3. Cierre el cierre relámpago y vuelva a instalar la bolsa del aspirador.



Fig. 16

INSTRUCCIONES DE MANTENIMIENTO Y REPARACIÓN

NOTA: Algunos procedimientos de mantenimiento pueden requerir el uso de herramientas o habilidades especiales. Si no está seguro acerca de estos procedimientos, lleve su unidad a un establecimiento de reparación, persona o distribuidor de servicio autorizado que arregle motores para uso fuera de la carretera.

NOTA: El mantenimiento, la sustitución o arreglo de dispositivos para el control de emisiones y sistemas pueden ser hechos por cualquier establecimiento de reparación, persona o proveedor de servicio autorizado que arregle motores para uso fuera de la carretera.

PROGRAMA DE MANTENIMIENTO

Estos procedimientos requeridos para el mantenimiento deben ser realizados con la frecuencia indicada en la tabla. Deben ser incluidos como parte de toda puesta a punto de cada temporada.



ADVERTENCIA: Para evitar lesiones personales graves, nunca realice mantenimiento ni reparaciones con la unidad funcionando. Realice siempre el mantenimiento y las reparaciones con la unidad fría. Desconecte el cable de la bujía de encendido para cerciorarse de que la unidad no arrancará.

A fin de garantizar el máximo desempeño del motor, puede ser necesario inspeccionar la lumbrera de escape del motor después de 50 horas de funcionamiento. Si usted observa pérdida de RPM, funcionamiento deficiente o falta general de aceleración, es posible que sea necesario realizar este mantenimiento. Si usted considera que su motor necesita esta inspección, haga que un establecimiento de reparación, persona o proveedor de servicio autorizado que arregle motores para uso fuera de la carretera le preste el servicio. **NO** intente realizar este proceso usted mismo ya que puede ocasionar daños al motor producto de los contaminantes que se encuentran en el proceso de limpieza de la lumbrera.


FRECUENCIA	MANTENIMIENTO REQUERIDO	CONSULTE
Antes de arrancar el motor	Llene el tanque de combustible con la mezcla correcta de aceite y combustible	Página E11
Cada 10 horass	Limpie y vuelva a aceitar el filtro de aire	Página E15
Cada 25 horass	Examine el parachispas y límpiolo Inspeccione la condición y la separación de la bujía de encendido	Página E16 Página E18
Cada 50 horas	Inspeccione si la lumbrera de escape y la rejilla del parachispas están tupidas u obstruidas para garantizar los niveles máximos de rendimiento	Página E16

MANTENIMIENTO DEL FILTRO DE AIRE

Remoción de la cubierta del silenciador/filtro de aire

1. Coloque la palanca azul en Posición 2.

NOTA: La palanca azul debe estar en Posición 2 (Fig. 17) para sacar la cubierta del silenciador / filtro de aire.



ADVERTENCIA: Para evitar graves lesiones personales, apague siempre su recortador y espere que se enfríe antes de limpiarlo o realizar todo tipo de mantenimiento.

2. Saque los cuatro (4) tornillos que sostienen la cubierta del silenciador / filtro de aire (Fig. 17). Use un destornillador de broca Torx N° T20.
3. Saque la cubierta del motor. No la fuerce.

Limpieza del Filtro de Aire

Limpie y vuelva a aceitar el filtro de aire cada 10 horas de operación. Es una de las partes cuyo mantenimiento es importante. No mantener debidamente su filtro de aire puede resultar en funcionamiento inadecuado o puede causar daño permanente a su motor.

1. Saque la cubierta del silenciador / filtro de aire. Lea la sección de *Remoción de la cubierta del silenciador / filtro de aire*.
2. Gire la tapa y ubique el filtro de aire adentro. Saque el filtro de aire de adentro de la tapa del filtro de aire / silenciador (Fig. 18).

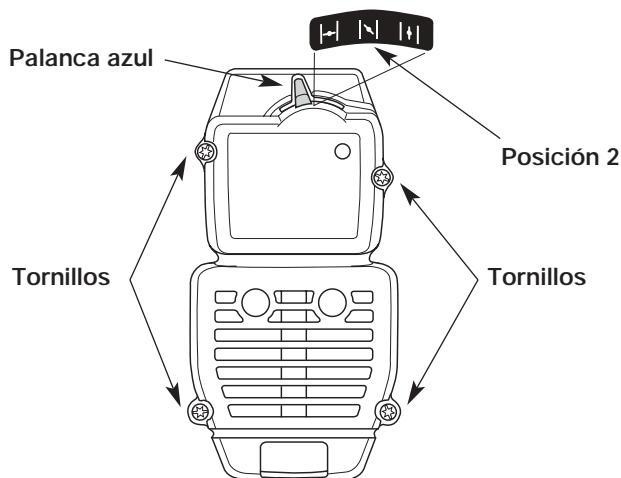


Fig. 17

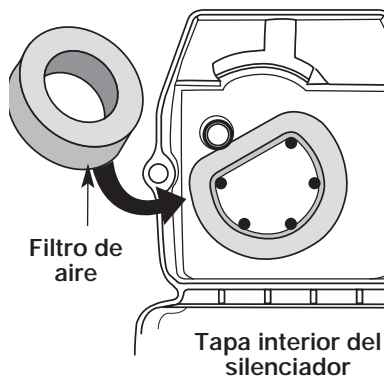


Fig. 18

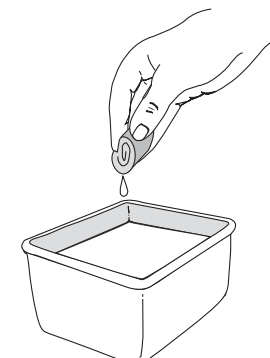


Fig. 19

INSTRUCCIONES DE MANTENIMIENTO Y REPARACIÓN

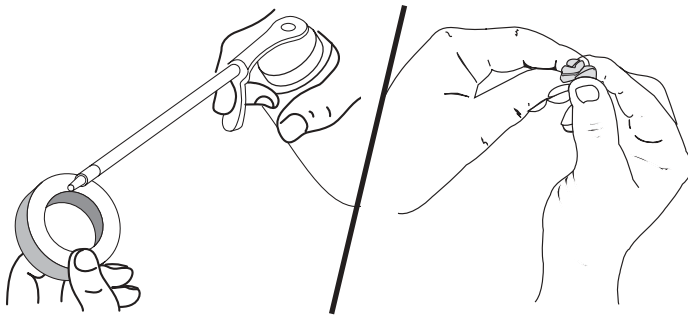


Fig. 20

Fig. 21

3. Lave el filtro con agua y detergente (Fig. 19). Enjuague bien el filtro. Escorra el exceso de agua. Déjelo secar por completo.
4. Aplique suficiente aceite limpio SAE 30 para recubrir ligeramente el filtro (Fig. 20).
5. Apriete el filtro para esparcir y retirar el exceso de aceite (Fig. 21).
6. Cambie el filtro de aire dentro de la tapa del filtro de aire / silenciador (Fig. 18).

NOTA: Si opera la unidad sin el filtro de aire y el ensamble de la cubierta del silenciador / filtro de aire, su garantía quedará ANULADA.

Reinstalación de la cubierta del silenciador / filtro de aire

1. Coloque la cubierta del silenciador / filtro de aire sobre la parte posterior del carburador y del silenciador. Alinee los orificios de los tornillos.
2. Inserte los cuatro (4) tornillos en los orificios de la cubierta del silenciador / filtro de aire (Fig. 17) y ajústelos. **No los ajuste demasiado.**

MANTENIMIENTO DEL PARACHISPAS

NOTA: El flujo de las emisiones puede ser en una dirección solamente: **APARTÁNDOSE** del motor. Preste mucha atención a cómo se ensambla el silenciador, de modo que lo pueda volver a armar exactamente como está. El no hacerlo así dañará a la unidad y pudiera causar lesiones personales graves.

1. Quite el filtro de aire / tapa del silenciador. Ver *Remoción de la Tapa del Filtro / Silenciador*.
2. Localice el silenciador, pero no lo quite. Busque los dos (2) tornillos en la parte inferior del silenciador (Fig. 22). Estos dos tornillos unen el conjunto de deflector de escape y la pantalla del parachispas a la parte inferior del silenciador. Quite los dos (2) tornillos usando una llave torx No. 20 o un destornillador plano.
3. Utilizando un pequeño destornillador plano, palanquee con cuidado hacia arriba la pantalla del parachispas del agujero encastrado, fijándose que la parte "levantada" de la pantalla del parachispas quede dentro del agujero encastrado. Retire la pantalla del parachispas del silenciador.

4. Limpie la rejilla del parachispas con un cepillo de cerdas metálicas. Cámbiela si está dañada o si no la puede limpiar completamente.
5. Vuelva a instalar la pantalla del parachispas colocando la parte "levantada" de la pantalla dentro del agujero empotrado del silenciador. Cerciórese de que la pantalla del parachispas quede plana contra el silenciador.
6. Coloque la placa del parachispas encima del parachispas con el lado "levantado" hacia arriba mirando al motor (Fig. 22).
7. Coloque el capó del parachispas encima de la placa del parachispas con el lado "levantado" hacia arriba y la apertura mirando en dirección **CONTRARIA** al motor (Fig. 22). Asegúrese de que el escape se dirija en dirección **CONTRARIA** al motor.
8. Vuelva a colocar los dos tornillos que quitó en el Paso 2 y apriételos firmemente.
9. Reinstale la tapa del filtro de aire / silenciador.

	ADVERTENCIA: Si el conjunto del deflector de emisiones no se aprieta fijamente se puede caer y causarle daño a la unidad y posibles lesiones personales graves.
--	--

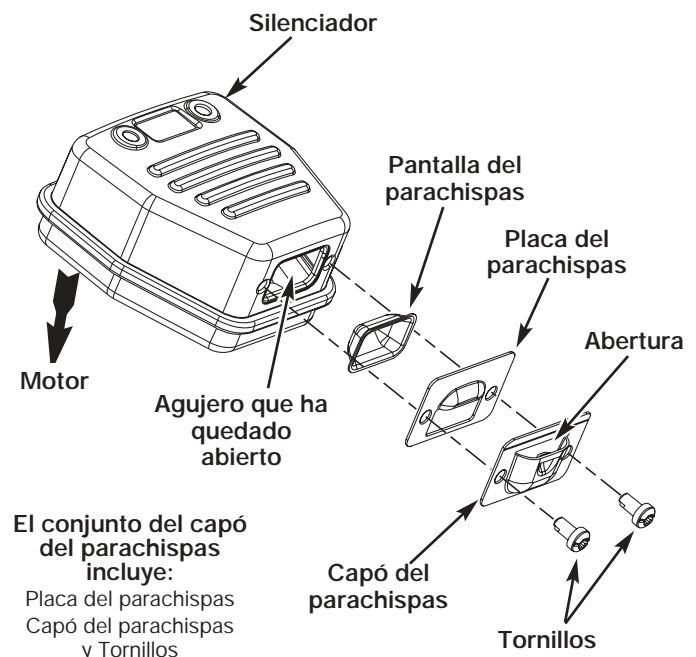


Fig. 22

INSTRUCCIONES DE MANTENIMIENTO Y REPARACIÓN

AJUSTE DEL CARBURADOR

La velocidad lenta del motor puede ser ajustada por la cubierta del silenciador / filtro de aire (Fig. 23).

NOTA: Los ajustes realizados sin cuidado pueden dañar seriamente su unidad. Los ajustes del carburador deben ser realizados por un proveedor de servicio autorizado.

Controle la mezcla del combustible

Una mezcla incorrecta o vieja de combustible es en general el motivo por el cual la unidad no funciona adecuadamente. Drene y vuelva a llenar el tanque con combustible nuevo y bien mezclado antes de hacer ningún ajuste. Consulte la *Información sobre Aceite y Combustible*.

Limpie el filtro de aire

La condición del filtro de aire es importante para la operación de la unidad. Un filtro de aire sucio limitará el flujo de aire y cambiará la mezcla de combustible y aire en el carburador. Esto con frecuencia se confunde con un carburador mal ajustado. Verifique la condición del filtro de aire antes de ajustar el tornillo de marcha lenta. Consulte *Mantenimiento del Filtro de Aire*.

Ajuste del tornillo de marcha lenta



ADVERTENCIA: La unidad deberá estar en marcha durante el ajuste de velocidad lenta. Use ropa que lo proteja y cumpla con todas las instrucciones de seguridad para prevenir graves lesiones personales.

Asimismo, no apoye la unidad sobre ninguna superficie excepto un área limpia y dura mientras realiza estos ajustes. Los escombros como grava, arena, polvo, césped, etc. pueden ser absorbidos por la entrada de aire y salir despedidos por la abertura de descarga, dañando la unidad, la propiedad, o causando lesiones graves al operador y a los espectadores.

Si luego de controlar la mezcla de combustible y limpiar el filtro de aire el motor aún no funciona en mínima, ajuste el regulador de velocidad mínima de este modo.

1. Arranque el motor y déjelo funcionar en una velocidad mínima alta durante un minuto para que se caliente.

2. Mueva el control del regulador y deje que el motor funcione en mínima. Si el motor se para, inserte un destornillador pequeño Phillips o de vástago plano en el orificio de la cubierta del filtro de aire / silenciador (Fig. 23). Gire el regulador de velocidad mínima hacia dentro en sentido horario 1/8 de vuelta por vez (según sea necesario) hasta que el motor funcione en velocidad mínima en forma continua.
3. Si parece que la unidad está funcionando con una mínima demasiado rápida, gire el regulador de velocidad mínima en sentido antihorario 1/8 de vuelta por vez (según sea necesario), para reducir la velocidad mínima.

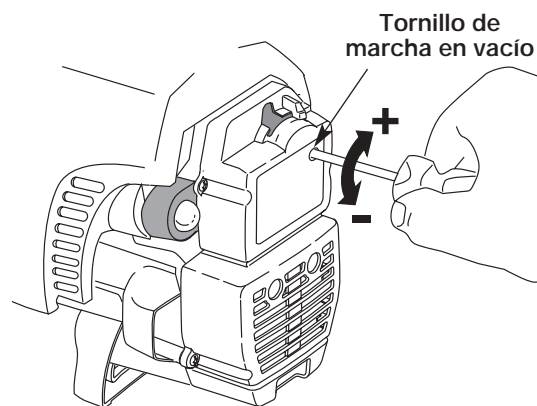


Fig. 23

El control de la mezcla de combustible, la limpieza del filtro de aire y el ajuste del tornillo de marcha lenta deben resolver la mayoría de los problemas del motor.

De no ser así y si:

- El motor no funciona en mínima
- El motor fluctúa o se para al acelerar
- Existe una pérdida de fuerza motriz

Lleve el carburador a un proveedor de servicio autorizado para que lo ajuste.

INSTRUCCIONES DE MANTENIMIENTO Y REPARACIÓN

CAMBIO DE LA BUJÍA DE ENCENDIDO

Use una bujía de encendido Champion RDJ7Y (o similar). La separación correcta es de **0,5 mm (0,020 pulgadas)**. Retire la bujía luego de cada **25 horas** de operación e inspeccione su estado.

1. Apague el motor y espere que se enfríe. Tome el alambre de la bujía con firmeza y sáquelo de la bujía de encendido.
2. Limpie alrededor de la bujía de encendido. Saque la bujía de encendido de la cabeza del cilindro girando una llave de casquillo de 16 mm (5/8) de pulgada en sentido antihorario.



PRECAUCION: No limpie con chorro de arena, ni raspe ni limpie los electrodos. El motor podría dañarse si penetran pequeñas partículas en el cilindro.

3. Cambie las bujías que estén rajadas, sucias o deterioradas. Fije la separación de aire a **0,5 mm (0,020 pulgadas)** utilizando un calibrador (Fig. 24).
4. Instale una bujía de encendido con la separación correcta en la cabeza del cilindro. Ajuste girando la llave de casquillo de 16 mm (5/8 pulg.) en sentido horario hasta que esté ajustada sin huelgo.

Si usa una llave de torsión, ajuste a:
12,3-13,5 N•m (110-120 pulg. • libras).
No ajuste demasiado.

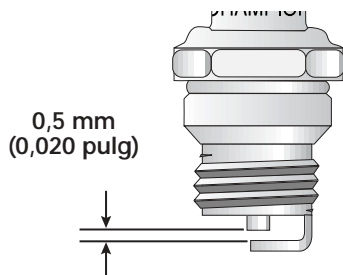


Fig. 24

DESBROCE DE UN TUBO / PROPULSOR OBSTRUIDO



ADVERTENCIA: Para evitar graves lesiones personales, use siempre guantes para protegerse contra las cuchillas del propulsor o contra otros objetos afilados.



ADVERTENCIA: Para evitar graves lesiones personales, verifique que la unidad esté apagada antes de limpiarla o realizar cualquier tipo de mantenimiento en ella.

1. Oprima y sostenga el control de apagado On/Off en la posición de apagado (STOP) (O) hasta que el motor se apague por completo (Fig. 10).
2. Desconecte el cable de la bujía de encendido para evitar que la unidad arranque.
3. Quite el tubo del soplador/aspirador y la bolsa del aspirador.
4. Saque con cuidado el material que está obstruyendo el tubo o el propulsor. Inspeccione las cuchillas para verificar que no hayan ocurrido daños. Gire las cuchillas del propulsor a mano para asegurar que haya desbrozado la obstrucción por completo.
5. Vuelva a instalar la bolsa del aspirador y el tubo del soplador / aspirador.
6. Vuelva a conectar el cable de la bujía de encendido.

INSTRUCCIONES DE MANTENIMIENTO Y REPARACIÓN

LIMPIEZA



ADVERTENCIA: Para evitar graves lesiones personales, apague siempre su unidad y espere que se enfríe antes de limpiarlo o realizar cualquier tipo de mantenimiento.

Use un cepillo pequeño para limpiar la parte exterior de la unidad. No use detergentes fuertes. Los limpiadores domésticos que contienen aceites aromáticos como pino y limón, y con solventes como el queroseno pueden dañar el bastidor de plástico y la manija. Seque toda la humedad con un paño suave.

LIMPIEZA DE LA BOLSA DEL ASPIRADOR

1. Vacíe la bolsa luego de cada uso para evitar el deterioro y la obstrucción del flujo de aire, lo cual reducirá el rendimiento del aspirador.
2. Proteja sus ojos y use una máscara para el polvo, limpie la bolsa según sea necesario. Dé vuelta la bolsa hacia fuera luego del vaciado inicial y agite con fuerza para eliminar el polvo y los escombros.
3. Lave la bolsa una vez por año o con mayor frecuencia si es necesario:
 - a. Saque la bolsa del aspirador.
 - b. Dé vuelta la bolsa hacia fuera.
 - c. Cuelgue la bolsa.
 - d. Lave bien la bolsa con una manguera.
 - e. Cuelgue la bolsa para que se seque.
 - f. Dé vuelta la bolsa con el lado correcto hacia fuera y vuelva a instalarla.

ALMACENAMIENTO

- No guarde nunca la unidad con combustible en el tanque donde los vapores puedan llegar a una llama o chispa.
- Espere que el motor se enfríe antes de guardar la unidad.
- Guarde la unidad bajo llave para prevenir el uso por personas no autorizadas y daños.
- Guarde la unidad en un área seca y bien ventilada.
- Guarde la unidad fuera del alcance de los niños.

ALMACENAMIENTO PROLONGADO

Si planea guardar la unidad durante un largo período de tiempo, siga el siguiente procedimiento para su almacenamiento.

1. Drene todo el combustible del tanque de combustible en un recipiente que contenga la misma mezcla de combustible de 2 ciclos. No use combustible que haya permanecido guardado durante más de 60 días. Deseche la mezcla vieja de combustible y aceite de acuerdo a las regulaciones federales, estatales y locales.
2. Arranque el motor y déjelo funcionar hasta que se ahogue. Esto asegura que todo el combustible ha sido drenado del carburador.
3. Espere que el motor se enfríe. Retire la bujía de encendido y coloque alrededor de 30 mL (1 onza) de cualquier aceite para motor de 2 ciclos buena calidad dentro del cilindro. Tire de la cuerda de arranque lentamente para esparcir el aceite. Vuelva a instalar la bujía de encendido.

NOTA: Saque la bujía de encendido y drene todo el aceite del cilindro antes de intentar arrancar el recortador después de su almacenamiento.

4. Limpie bien la unidad e inspeccione para ver si existen partes flojas o dañadas. Repare o cambie las partes dañadas y ajuste los tornillos, tuercas o pernos que puedan estar flojos. La unidad está ahora lista para ser guardada.

TRANSPORTE

- Espere que el motor se enfríe antes de transportar
- Asegure la unidad durante su transporte.
- Drene el combustible de la unidad.
- Ajuste la tapa del combustible antes de transportar.

RESOLUCIÓN DE PROBLEMAS

EL MOTOR NO ARRANCA

CAUSA

El obturador está en la posición incorrecta
El tanque de combustible está vacío
La bombilla de cebado no fue oprimida lo suficiente

El motor está inundado
El combustible es viejo o está mal mezclado

La bujía de encendido está arruinada
Parachispas obstruido

ACCIÓN

Consulte las instrucciones de Arranque / Apagado
Llene el tanque con combustible bien mezclado
Oprima la bombilla de cebado total y lentamente de 10 veces hasta que el combustible se vea en la perilla
Use el procedimiento con obturador en Posición 3
Drene el tanque de gasolina / Agregue mezcla de combustible nueva
Cambie o limpie la bujía de encendido
Limpie o cambie el parachispas

EL MOTOR NO FUNCIONA EN MARCHA EN VACÍO

CAUSA

El filtro de aire está obstruido
El combustible es viejo o está mal mezclado

El carburador no está ajustado en forma correcta

ACCIÓN

Cambie o limpie el filtro de aire
Drene el tanque de gasolina / Agregue mezcla de combustible nueva
Ajuste según las instrucciones

EL MOTOR NO ACELERA

CAUSA

El combustible es viejo o está mal mezclado

El carburador no está ajustado en forma correcta para hacer un ajuste de carburador
El filtro de aire está sucio
Parachispas obstruido

ACCIÓN

Drene el tanque de gasolina / Agregue mezcla de combustible nueva
Lleve la unidad a un proveedor de servicio autorizado

Limpie o cambie el filtro de aire
Limpie o cambie el parachispas

EL MOTOR NO TIENE SUFICIENTE POTENCIA O SE AHOGA AL CORTAR

CAUSA

El combustible es viejo o está mal mezclado

El filtro de aire está obstruido
El carburador no está ajustado en forma correcta para hacer un ajuste de carburador
La bujía de encendido está arruinada
Parachispas obstruido

ACCIÓN

Drene el tanque de gasolina / Agregue mezcla de combustible nueva
Limpie o cambie el filtro de aire
Lleve la unidad a un proveedor de servicio autorizado

Cambie o limpie la bujía de encendido
Limpie o cambie el parachispas

LA UNIDAD NO SOPLA O NO ASPIRA

CAUSA

La bolsa está llena
El tubo está obstruido

El propulsor está obstruido

El propulsor está dañado

ACCIÓN

Vacíe la bolsa, lea *Vaciado de la bolsa del aspirador*
Desbroce la obstrucción, lea *Desbroce de un tubo / propulsor obstruido*

Desbroce la obstrucción, lea *Desbroce de un tubo / propulsor obstruido*

Lleve la unidad a un proveedor de servicio autorizado

Si necesita asistencia adicional, comuníquese con su proveedor de servicio autorizado.

ESPECIFICACIONES

MOTOR*

Tipo de motor.....	Enfriado por aire, de 2 ciclos
Desplazamiento.....	31 cc
R.P.M. de operación (Aspirador)	6.800+ rpm
R.P.M. de operación (Sopladora)	7.200+ rpm
R.P.M. de velocidad mínima	3.200 - 4.400 r.p.m.
Tipo de encendido	Electrónico
Control de apagado On/Off	Interruptor oscilante
Separación de la bujía de encendido.....	0,5 mm (0,020 pulg.)
Lubricación.....	Mezcla de combustible y aceite
Proporción de combustible y aceite	40:1
Carburador	Diafragma, multiposicional
Arranque.....	Rebobinado automático
Silenciador	Desviado con protección
Regulador	Manual
Capacidad del tanque de combustible	384 mL (13 onzas)

SOPLADOR / ASPIRADOR*

Control del regulador	Palanca para el dedo
Velocidad del soplador	hasta 322 km/h (200 m/h)
Salida de aire del soplador.....	hasta 12 m ³ /min (425 cfm)
Proporción de triturado	hasta 10:1
Capacidad de la bolsa del aspirador.....	52,8 Litros (1,5 fanegas)
Masa (sin combustible, con el tubo del soplador)	5,2 kg (11,4 libras)

*Toda las especificaciones contenidas en este manual se basan en la información más reciente disponible en el momento de impresión del manual. Nos reservamos el derecho de hacer cambios en cualquier momento sin aviso previo.

NOTAS

Declaración de Garantía de Control de Emisiones de la EPA / California Sus Derechos y Obligaciones de la Garantía

La Junta de Recursos del Aire de California, la Agencia de Protección Ambiental y MTD LLC (MTD) se complacen en explicar la garantía del sistema de control de emisiones para su pequeño motor para uso fuera de la carretera del 2000 y posterior. Los nuevos motores pequeños para uso fuera de la carretera tienen que diseñarse, construirse y equiparse para cumplir las normas contra smog más estrictas. MTD tiene que garantizar el sistema de control de emisiones de su pequeño motor para uso fuera de la carretera durante los períodos de tiempo que aparecen a continuación siempre que no haya habido abuso, negligencia o mantenimiento indebido de su motor para uso fuera de la carretera.

Su sistema de control de emisiones puede incluir piezas como el carburador y el sistema de inyección de combustible, el sistema de encendido y el convertidor del catalizador. También se pueden incluir mangueras, correas, conectores y otros conjuntos relacionados con la emisión.

Donde existan las condiciones de garantía, MTD reparará su pequeño motor para uso fuera de la carretera sin costo alguno para usted incluyendo el diagnóstico, las piezas y la mano de obra.

Los pequeños motores para uso fuera de la carretera del 2000 y posteriores, se garantizan por dos años. Si alguna pieza de su motor relacionada con la emisión está defectuosa, la pieza será reparada o reemplazada por MTD.

Responsabilidades de Garantía de los Propietarios

Como propietario del pequeño motor para uso fuera de la carretera, usted es responsable de realizar el mantenimiento requerido que aparece en el manual del operador. MTD recomienda que conserve todos los comprobantes que cubren el mantenimiento de su pequeño motor para uso fuera de la carretera, pero MTD no puede negar garantía exclusivamente por la falta de comprobantes o por que usted no haya realizado todos los mantenimientos programados.

Como propietario del pequeño motor para uso fuera de la carretera, usted debe conocer que MTD puede negarle cobertura de garantía si su pequeño motor para uso fuera de la carretera o una pieza ha fallado debido a abuso, negligencia, mantenimiento inadecuado o modificaciones no aprobadas.

Usted es responsable de presentar su pequeño motor para uso fuera de la carretera a un Centro de Servicio Autorizado MTD tan pronto como exista un problema. Las reparaciones de garantía deben completarse en un período de tiempo razonable, el cual no deberá ser mayor de 30 días.

Si tiene alguna pregunta relacionada con los derechos y responsabilidades de la garantía, debe llamar al 1-800-345-8746.

Cobertura de Garantía del Fabricante

El período de garantía comienza en la fecha en que el motor o equipo se entrega al comprador minorista.

El fabricante garantiza al propietario original y a cada comprador subsiguiente, que el motor está libre de defectos en cuanto a material y mano de obra que ocasionen la falla de una pieza bajo garantía durante un período de dos años.

La reparación o reemplazo de una pieza bajo garantía se llevará a cabo sin cargo alguno para el propietario en un Centro de Servicio MTD Autorizado. Para conocer el establecimiento más cercano, comuníquese con MTD llamando al: 1-800-345-8746.

Cualquier pieza bajo garantía que no esté programada para ser reemplazada, según indica el mantenimiento requerido o que esté programada solamente para inspección regular a los efectos de "Repáre o Reemplace según sea Necesario" está garantizada durante el período de garantía. Cualquier pieza bajo garantía que esté programada para ser reemplazada según indica el mantenimiento requerido tendrá garantía durante el período de tiempo hasta el primer punto de reemplazo programado para dicha pieza.

No se le cobrará al propietario la mano de obra de diagnóstico que conlleve a la determinación de que una pieza bajo garantía está defectuosa, si dicho trabajo de diagnóstico se lleva a cabo en un Centro de Servicio MTD Autorizado.

El fabricante es responsable de los daños ocasionados a otros componentes del motor producidos por la falla de una pieza bajo garantía que todavía esté bajo garantía.

Las fallas ocasionadas por abuso, negligencia o mantenimiento inadecuado no están cubiertas por la garantía.

El uso de accesorios optativos o piezas modificadas puede ser motivo justificado para no aceptar una reclamación de garantía. El fabricante no es responsable de cubrir fallas de piezas bajo garantía ocasionadas por el uso de accesorios optativos o piezas modificadas.

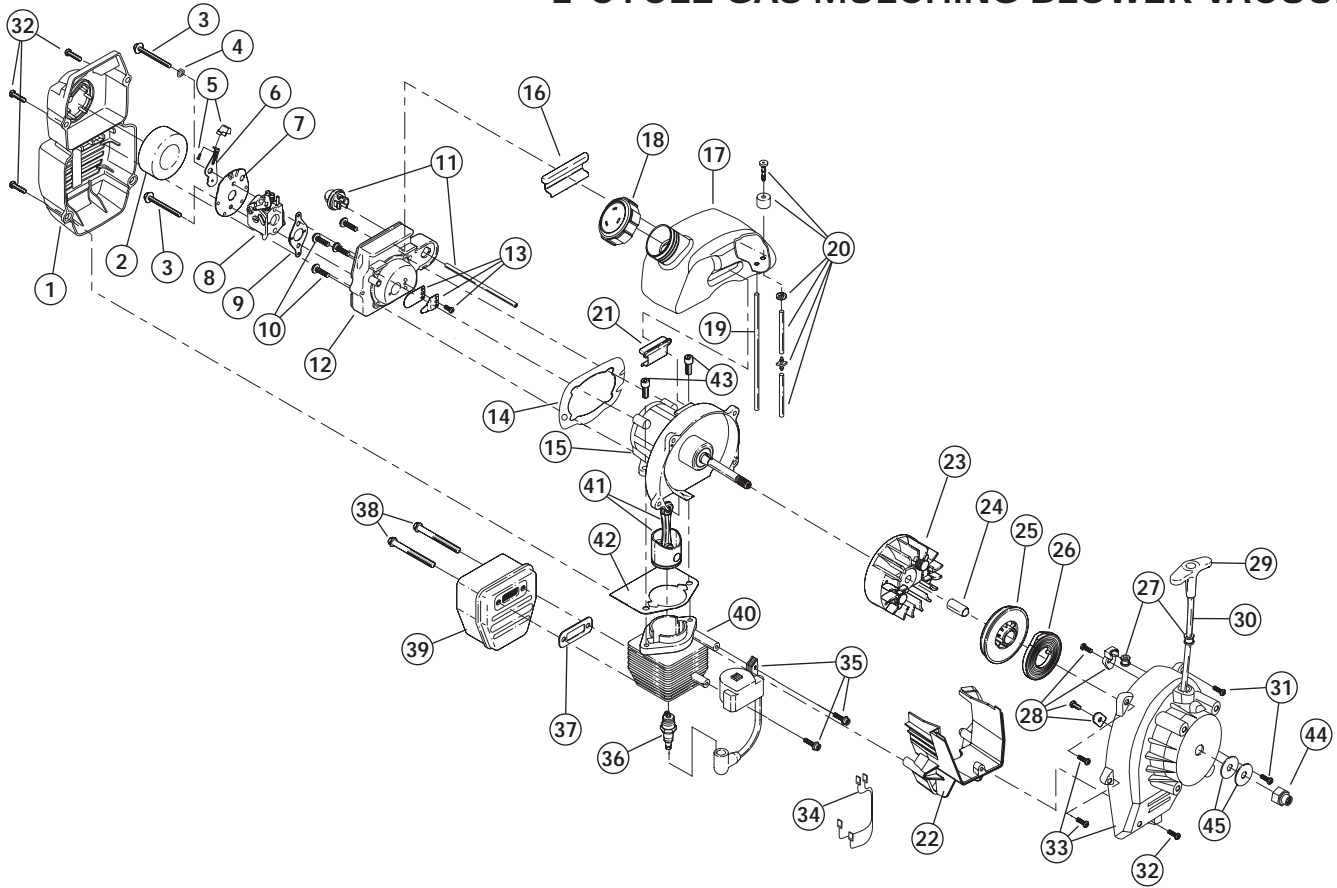
Para presentar una reclamación, vaya a su Centro de Servicio MTD Autorizado más cercano. Los servicios o reparación por motivo de garantía se realizarán en todos los Centros de Servicio MTD Autorizados.

Cualquier pieza de reemplazo aprobada por el fabricante puede ser utilizada para llevar a cabo el mantenimiento o la reparación de garantía de piezas relacionadas con la emisión y se realizará sin cargo alguno para el propietario. Cualquier pieza de reemplazo que sea equivalente en rendimiento o durabilidad puede ser utilizada en el mantenimiento o reparación sin garantía y no reducirá las obligaciones de garantía del fabricante.

Los componentes siguientes se incluyen en la garantía relacionada con emisiones del motor, filtro de aire, carburador, cebador, líneas de combustible, toma de combustible, filtro de combustible, módulo de encendido, bujía de encendido y silenciador.

PARTS LIST

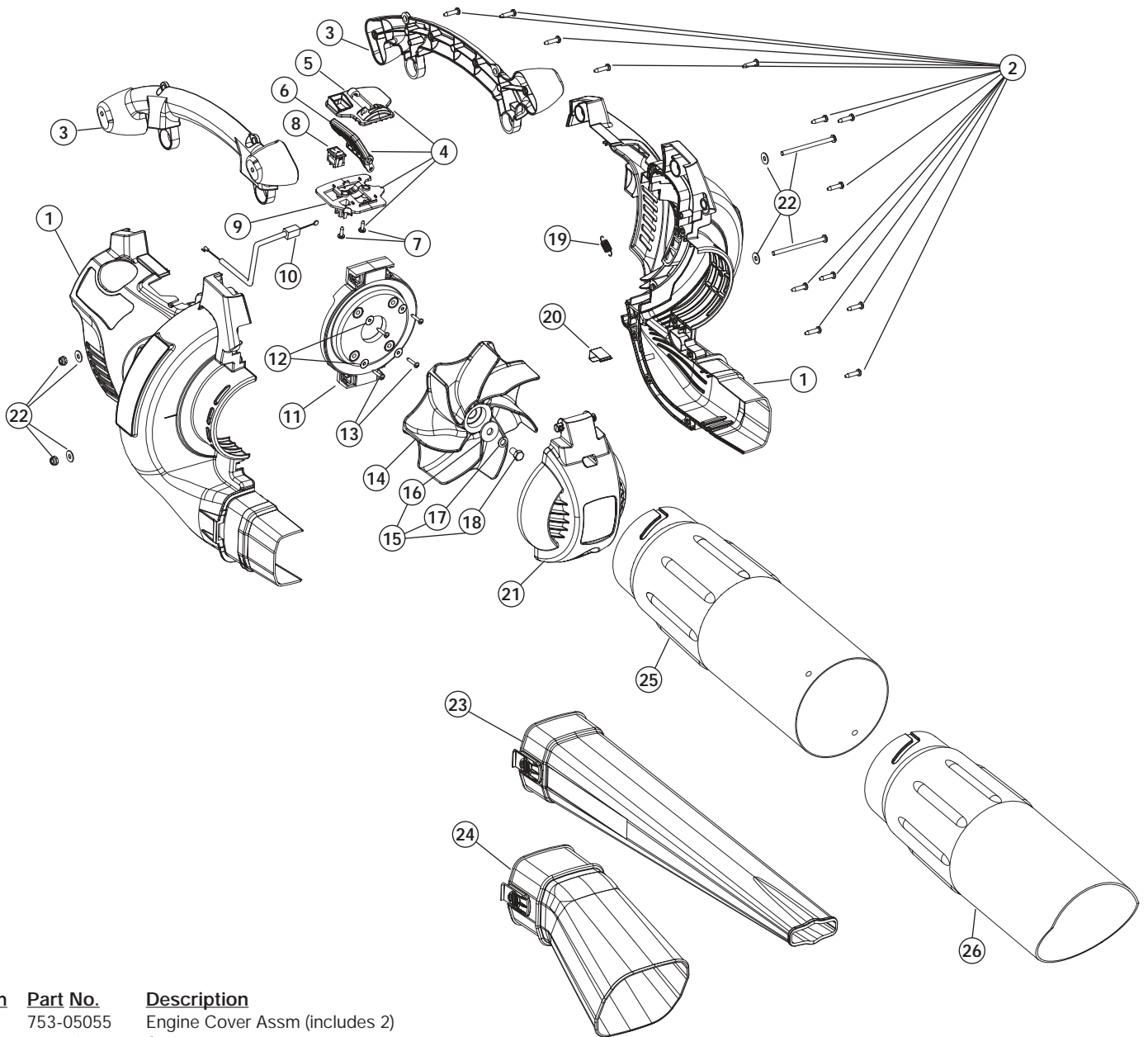
HOUSING PARTS - MODEL MB320BV 2-CYCLE GAS MULCHING BLOWER VACUUM



Item	Part No.	Description	Item	Part No.	Description
1	753-04511	Air Cleaner/Muffler Cover Assembly (includes 2 & 32)	29	791-181079	Pull Handle
2	791-180350B	Air Cleaner Filter	30	791-613103	Rope
3	791-180351	Carburetor Mounting Screw	31	791-181862	Housing Screw
4	791-180226	Wavey Washer	32	791-181345	Cover Screw
5	791-182202	Choke Knob and Screw	33	791-181931	Starter Housing Assembly (includes 25-32)
6	753-04418	Choke Lever Assembly (includes 5)	34	791-182402	Wire Lead Assembly
7	753-04419	Choke Lever and Plate (includes 6)	35	753-04336	Module Assembly
8	753-04408	Carburetor Assembly (includes 9 & 20)	36	791-610311B	Spark Plug
9	791-610675	Carburetor Gasket	37	753-04619	Exhaust Gasket
10	791-181860	Carb Mount Screw	38	753-04620	Muffler Mounting Bolt Assembly
11	791-683974B	Primer and Hose Assembly	39	753-04618	Muffler Assembly (includes 37 & 38)
12	753-1196	Carb Mount Assembly (includes 10,13 & 14)	40	753-04814	Cylinder Assembly (includes 42 & 43)
13	791-684451	Reed Assembly	41	753-04367	Piston and Rod Assembly
14	753-1208	Carburetor Mount Gasket	42	753-04182	Cylinder Gasket
15	753-04328	Crank Case Service Assembly (includes 10)	43	791-182723	Cylinder Bolt
16	791-612134	Rear Mounting Pad	44	791-181524	Impeller Drive Nut
17	753-04310	Fuel Tank Assembly (includes 18-20)	45	791-182396	Washer
18	791-182612	Fuel Cap Assembly	*	753-04689	Spark Arrestor Screen
19	791-181086	Fuel Return Line	*	753-1209	Piston Ring Set
20	791-682039	Fuel Line Assembly	*	753-04895	Short Block Assembly (includes 10, 15, 36, 40-43)
21	791-145308	Front Mounting Pad			
22	753-04409	Shroud Extension (includes 32)			
23	791-182736	Flywheel Assembly			
24	753-04481	Spacer			
25	753-1199	Recoil Pulley			
26	791-613102	Recoil Spring			
27	791-611061	Rope Guide			
28	791-180930	Pulley Retainer Assembly			
			*	Items Not Shown	

PARTS LIST

HOUSING PARTS - MODEL MB320BV 2-CYCLE GAS MULCHING BLOWER VACUUM



Item	Part No.	Description
1	753-05055	Engine Cover Assm (includes 2)
2	791-181345	Screw
3	753-04451	Handle Assm (includes 2)
4	791-00047	Throttle control Assm (includes 5-7 & 9)
5	791-182420	Upper Throttle Control Plate
6	791-00048	Throttle Control Lever
7	791-182423	Screw
8	791-182405	Rocker Switch Assm
9	791-182422	Lower Throttle Control Plate
10	791-00049	Throttle Cable
11	753-04483	Engine Mount Plate (includes 12 & 13)
12	791-182409	Washer
13	791-181903	Screw
14	753-04596	Impeller Blade
15	753-04482	Impeller Hardware (includes 16-18)
16	753-04833	Washer
17	753-04834	Lock Washer
18	791-182414	Bolt

Item	Part No.	Description
19	753-04456	Vacuum Door Spring
20	753-04455	Vacuum Door Lock
21	753-04454	Vacuum Door
22	791-182424	Mounting Plate Hardware
23	791-182647	Blower Tube
24	791-182477	Vacuum Bag Adaptor
25	791-180466	Upper Vacuum Tube
26	791-180467	Lower Vacuum Tube
*	791-612930	Cable Tie
*	753-04458	Vacuum Bag Assm (includes 24, Bag, & Cable Tie)
*	791-682075B	Shoulder Strap

Items Not Shown

GARANTÍA LIMITADA DEL FABRICANTE PARA:



La garantía limitada establecida a continuación es dada por MTD LLC ("MTD") con respecto a mercancía nueva que sea comprada y usada en los Estados Unidos, sus posesiones y territorios.

MTD garantiza este producto contra defectos en el material y la mano de obra durante un período de dos (2) años, a partir de la fecha de compra original y a su entera opción, arreglará o substituirá, sin costo alguno, cualquier pieza cuyo material o mano de obra se considere defectuoso. Esta garantía limitada se deberá aplicar únicamente si este producto ha sido manejado y mantenido de acuerdo al Manual del Operador incluido con el producto y, si no ha sido sometido a mal uso, abuso, uso comercial, accidente, mantenimiento inapropiado, alteración, vandalismo, hurto, fuego, agua o daños debidos a otros riesgos o desastre natural. Los daños ocasionados por la instalación o el uso de cualquier accesorio o aditamento que no esté aprobado por MTD para que sea usado con el (los) producto(s) contemplados en este manual, anularán la garantía con respecto a cualquier daño resultante. Esta garantía está limitada a noventa (90) días a partir de la fecha de compra original de cualquier producto MTD que se use para alquiler o para propósitos comerciales, o cualquier otro propósito que genere ingreso.

CÓMO OBTENER SERVICIO: El servicio de garantía se encuentra disponible A TRAVÉS DE SU DISTRIBUIDOR LOCAL AUTORIZADO, AL PRESENTAR UN COMPROBANTE DE COMPRA. Para ubicar al distribuidor de su área, por favor consulte las Páginas Amarillas o contacte al Departamento de Servicio al Consumidor de MTD LLC llame al 1-800-345-8746 o, escriba a P.O. Box 361131, Cleveland OH 44136-0019. Si está en Canadá, llame al 1-800-668-1238. No se aceptará ningún producto que sea enviado directamente a la fábrica, a menos que haya recibido autorización previa por escrito por parte del Departamento de Servicio al Consumidor de MTD LLC.

Esta garantía limitada no ofrece cobertura en los siguientes casos:

- A. Sincronizaciones — Bujías, ajustes de carburadores, filtros.
- B. Artículos de desgaste — Botón de tope, carretes externos, línea de corte, carretes internos, polea de arranque, cuerdas de arranque, correas motoras.
- C. MTD no le ofrece ninguna garantía a productos que sean vendidos o exportados fuera de los Estados Unidos de Norteamérica, sus posesiones y territorios, excepto aquellos que se vendan a través de los canales de distribución para exportación autorizados por MTD.

MTD se reserva el derecho a cambiar o mejorar el diseño de cualquier producto MTD, sin asumir ninguna obligación para modificar ningún producto fabricado con anterioridad.

Ninguna garantía implícita es aplicable, incluyendo cualquier garantía implícita de comerciabilidad o idoneidad para un propósito particular, después del periodo de la garantía expresa escrita con anterioridad, con respecto a las piezas identificadas. Ninguna otra garantía expresa dada por cualquier persona o entidad, incluyendo a los distribuidores o minoristas, bien sea escrita u oral, deberá comprometer a MTD con respecto a cualquier producto. Durante el período de la Garantía, la solución exclusiva es arreglar o cambiar el producto de la manera establecida anteriormente. (Algunos estados no permiten limitaciones en cuanto al período de duración de una garantía implícita, de manera que puede que la limitación anterior no sea aplicable para usted.)

Las estipulaciones establecidas en esta Garantía ofrecen la solución única y exclusiva que resulte de las ventas. MTD no deberá ser responsable de pérdidas o daños incidentales o consecuentes que incluyen, sin limitación, erogación de gastos debido a la sustitución de servicios de mantenimiento de prados, transporte o gastos relacionados, o gastos de alquiler para reemplazar temporalmente un producto bajo garantía. (Algunos estados no permiten limitaciones en cuanto al período de duración de una garantía implícita, de manera que puede que la limitación anterior no sea aplicable para usted.)

La recuperación de cualquier tipo no deberá ser superior al precio de compra del producto vendido en ningún caso. La alteración de las características de seguridad del producto deberá anular la garantía. Usted asume el riesgo y la obligación de la pérdida, daño o lesión en su persona o a su propiedad y / o la de otras personas y sus propiedades, que se origine a raíz del uso o mal uso, o la falta de capacidad para usar el producto.

Esta garantía limitada no deberá cubrir a ninguna otra persona distinta al comprador original, arrendatario original, o la persona para la que se compró en calidad de regalo.

Relación de las leyes estatales con esta Garantía: Esta garantía le confiere derechos legales específicos, y puede que usted también tenga otros derechos, los cuales varían en cada estado.

Para ubicar a su distribuidor de servicio más cercano, llame al 1-800-345-8746 en los Estados Unidos o al 1-800-668-1238 en Canadá.

MTD LLC
P.O. Box 361131
Cleveland, OH 44136-0019